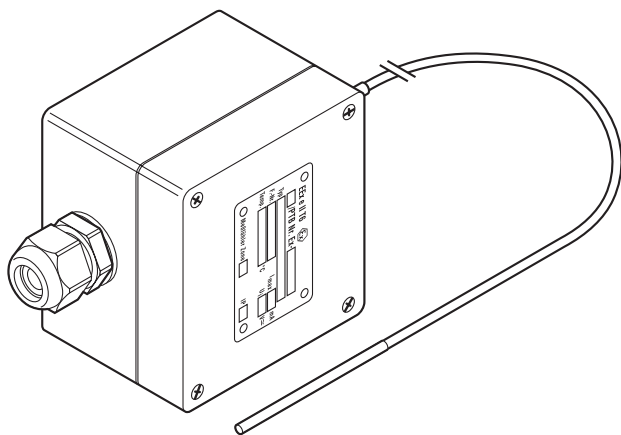


MONI-PT100-EXE

CONNECT AND PROTECT

Temperature sensor for hazardous areas

PRODUCT OVERVIEW



3 wire nVent RAYCHEM Pt 100 sensor connected to a black glass fiber reinforced polyester junction box with 4 front entry spring-type terminals.

Hazardous area cable gland, pre-installed (M20, black).

PRODUCT SPECIFICATIONS

Sensor

Type	Pt 100 (3 wire) DIN IEC 751, Class B.
Material	Extension cable and tip both stainless steel (MI)
Temperature measuring range	-100°C to +500°C
Maximum exposure temp. tip	+585°C
Length	2 m
Diameter	ca 3 mm
Minimum bending radius	Extension cable: 20 mm, the measuring tip should not be bent

Enclosure

Material	Glass fiber reinforced polyester (black)
Ingress protection	IP66
Dimensions	Width = 80 mm Height = 75 mm Depth = 55 mm
Cable entry	M20 gland suitable for cable diameters ranging from 10 mm to 14 mm
Operating temperature	-50°C to +60°C
Sealing gasket material	Tongue and groove system with silicone seal
Cover screws	Stainless steel M4 threaded
Mounting	For pipe mount use JB-SB-26 wall mount surface mount via moulded holes at 68 x 45 mm

Installation and connection

Terminals	4 front entry spring-type terminals
Terminal sizing	Suitable for cables from 0.5 mm ² to 2.5 mm ²

APPROVALS

For use in hazardous area Zone 1/ Zone 2 (Gas) and Zone 21 / Zone 22 (Dust)

Temperature classification

T6

Product certification



More details about product certification, approvals and conditions of safe use are available in the installation manual at www.nVent.com/RAYCHEM

ORDERING INFORMATION

Part Description	nVent RAYCHEM MONI-PT100-EXE
PN (Weight)	967094-00 (0.44 kg)

North America

Tel +1.800.545.6258
Fax +1.800.527.5703
thermal.info@nVent.com

Europe, Middle East, Africa

Tel +32.16.213.502
Fax +32.16.213.604
thermal.info@nVent.com

Asia Pacific

Tel +86.21.2412.1688
Fax +86.21.5426.3167
cn.thermal.info@nVent.com

Latin America

Tel +1.713.868.4800
Fax +1.713.868.2333
thermal.info@nVent.com



Our powerful portfolio of brands:

CADDY ERICO HOFFMAN RAYCHEM SCHROFF TRACER