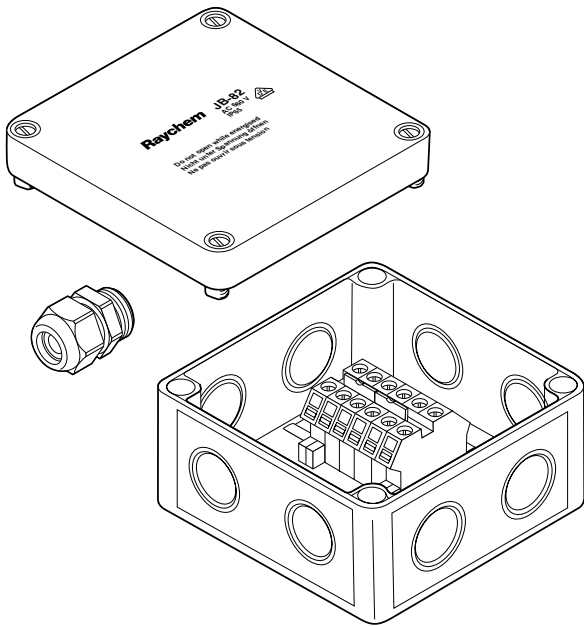


Raychem JB-82

JUNCTION BOX



The JB-82 is a standard, non-hazardous polycarbonate junction box.

It may be used to make a power connection, splice, powered splice, powered tee or simple tee, for use with Raychem industrial parallel heating cables.

Up to four heating cables or three heating cables and the appropriate size power cable can be accommodated through the four entries and connected to the rail mounted terminals.

For pipe mounting, it is recommended that this box is used with a Raychem support bracket.

ENCLOSURE	JB-82
Area of use	Ordinary (indoors and outdoors)
Protection	IP66
Entries	4 M20/25
Exposure temperature	-35°C to +115°C
Base	Grey glass filled polycarbonate
Lid	Grey polycarbonate
Lid gasket	Foamed polyurethane
PHASE TERMINALS	
Conta-Clip RK6-10	Din rail mounted
Voltage rating	750 Vac
Max. conductor size	0.5-10 mm ² (solid and stranded)
Current rating	61 A
Quantity	Two cross-connected groups of two
EARTH TERMINALS	
	2 Conta-Clip SL10/35



WWW.PENTAIRTHERMAL.COM

EUROPE, MIDDLE EAST, AFRICA

Tel: +32.16.213.511
Fax: +32.16.213.603
thermal.info@pentair.com

UNITED KINGDOM

Tel: 0800 969 013
Fax: 0800 968 6241
salesthermaluk@pentair.com

IRELAND

Tel: 1800 654 241
Fax: 1800 654 240
salesie@pentair.com

All Pentair trademarks and logos are owned by Pentair. All other brand or product names are trademarks or registered marks of their respective owners. Because we are continuously improving our products and services, Pentair reserves the right to change specifications without prior notice. Pentair is an equal opportunity employer.

© 2013 Pentair. All Rights Reserved.