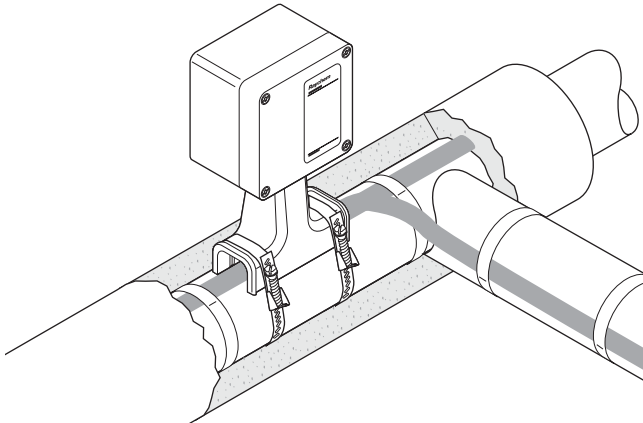


# Raychem T-100

## SPLICE OR TEE CONNECTION KIT



### PRODUCT OVERVIEW

The T-100 serves as an above-insulation splice or tee for up to three Raychem brand BTV, QTVR, XTV, KTV, or VPL heating cables. It is approved by FM, CSA, and PTB(1) for use in hazardous locations.

The T-100 integrates the functions of connection kits and insulation entries. The rugged stand protects the heating cable and allows for up to four inches (100 mm) of thermal insulation.

The cold-applied core sealer does not require a heat gun or torch for installation, so no hot work permit is necessary. The silicone-free, noncuring sealant in the core sealer allows easy installation and re-entry for maintenance.

The electrical connections in the T-100 are made with insulated crimps. For a splice or tee connection with terminal blocks, use the JBM-100.

Each kit contains all the necessary materials for a complete installation except for the pipe straps, which must be ordered separately.

### DESCRIPTION

Above-insulation splice / tee kit appropriate for use in hazardous locations







### KIT CONTENTS

- 1 splice / tee enclosure and lid
- 1 stand assembly
- 3 core sealers
- 3 green / yellow tubes
- 3 compression crimps
- 3 crimp insulating boots
- 2 grommet plugs
- 1 spanner wrench
- 1 strain relief assembly

**Note:** Order appropriate pipe straps separately (two straps per kit).

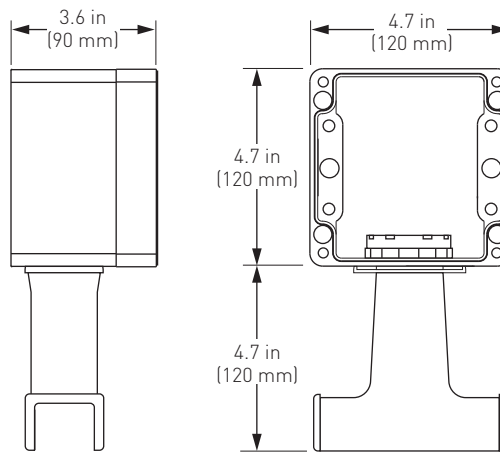
**APPROVALS**

**Hazardous Locations**

 <p>APPROVED</p>  <p>-WS</p> 	<p>Class I, Div. 2, Groups A, B, C, D Class II, Div. 1 and 2, Groups E, F, G Class III</p> <p>09-IEEx-0004X<sup>(3)</sup> Ex e IIC T* Gb</p>	 <p>APPROVED<sup>(1)</sup></p>  <p>-WS</p> 	<p>CLI, ZN1, AEx e II T<sup>(2)</sup></p> <p>Ex e II T<sup>(2)</sup></p> <p>II 2G II 2D Ex e II Ex tD A21 IP66 PTB 09 ATEX 1043U IECEX PTB 09.0023U</p>
--	--	--	---

- (1) Except VPL
- (2) For T-rating, see heating cable or design documentation
- (3) Except KTV

**DIMENSIONS (NOMINAL)**



**PRODUCT SPECIFICATIONS**

Heating cable capability	BTV-CR, BTV-CT, QTVR-CT, XTV-CT, KTV-CT, and VPL-CT
Ingress protection	NEMA 4X / IP66 / IP67
Minimum installation temperature	-40°F (-40°C)
Minimum ambient temperature	-75°F (-60°C)
Maximum ambient temperature	132°F (56°C)
Maximum pipe temperature	500°F (260°C)
Maximum operating voltage	480 Vac
Maximum circuit breaker rating	50 A for FM, CSA; 40 A for PTB

**MATERIALS**

Enclosure	Electrostatic charge-resistant glass-filled engineered polymer, black
Lid screws	Stainless steel
Lid gasket	Silicone rubber

**ORDERING DETAILS**

Catalog number	T-100
Part number	447379-000
Weight	2.5 lb (1.2 kg)
Crimp tool	T-100-CT (not included in kit; equivalent to Panduit CT-1570) PN 954799-000
Spare crimps and insulating tubes	T-100-CRIMP-KIT PN 577853-000



[WWW.PENTAIRTHERMAL.COM](http://WWW.PENTAIRTHERMAL.COM)

**NORTH AMERICA**

Tel: +1.800.545.6258  
Fax: +1.800.527.5703  
Tel: +1.650.216.1526  
Fax: +1.650.474.7711  
[thermal.info@pentair.com](mailto:thermal.info@pentair.com)

**EUROPE, MIDDLE EAST, AFRICA**

Tel: +32.16.213.511  
Fax: +32.16.213.603  
[thermal.info@pentair.com](mailto:thermal.info@pentair.com)

**ASIA PACIFIC**

Tel: +86.21.2412.1688  
Fax: +86.21.5426.2917  
[cn.thermal.info@pentair.com](mailto:cn.thermal.info@pentair.com)

**LATIN AMERICA**

Tel: +1.713.868.4800  
Fax: +1.713.868.2333  
[thermal.info@pentair.com](mailto:thermal.info@pentair.com)

Pentair, BTV, QTVR, XTV, KTV, VPL, and JBM are owned by Pentair or its global affiliates. All other trademarks are the property of their respective owners. Pentair reserves the right to change specifications without prior notice.

© 2001–2013 Pentair.