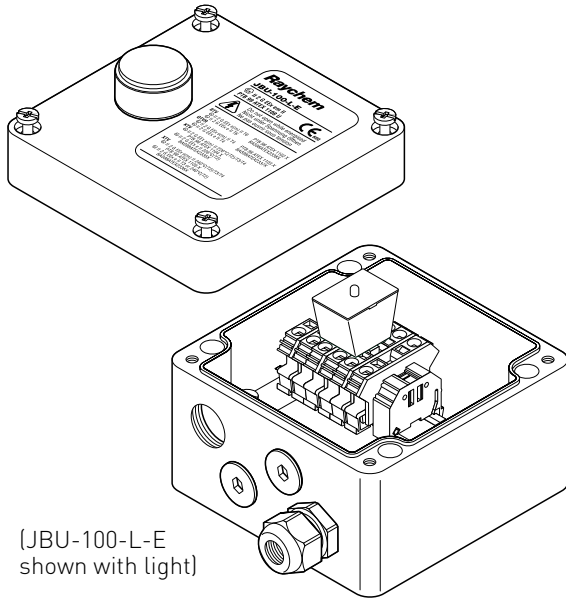


# Raychem JBU-100

## JUNCTION BOX FOR MODULAR SYSTEM



(JBU-100-L-E shown with light)

The JBU-100 kit is designed to connect power to up to three Raychem BTV, QTVR, XTV, KTV or VPL industrial parallel heating cables and is approved by PTB for use in hazardous locations.

Innovative Spring-type terminals provide fast installation and safe, reliable, maintenance-free operation.

The box is part of the modular component system, it allows for maximum flexibility and can be either wall or pipe mounted.

Connection kits (M25) and insulation entry kits have to be ordered separately. The box is offered in two basic versions customised to local installation practices.

All kits are also available as a lighted version (-L). These include a unique light module with a superbright green LED that simply plugs into the terminals, and a lens in the lid. This provides indication that power is available in the box.

### DESCRIPTION

#### JBU-100-E JBU-100-L-E

This box is for use in Europe and provides four M25 threaded entries, stopping plugs and one plastic power cable gland.

#### JBU-100-EP JBU-100-L-EP

This box is for use in Europe and provides four M25 threaded entries, an earthing plate and an external earth stud. It is designed for use with armoured power cables.

### KIT CONTENTS



1 junction box with terminals  
1 light module (for -L only)  
1 M25 gland for 8-17 mm diameter power cable  
2 M25 stopping plugs

1 junction box with terminals with earth plate and external earth stud  
1 light module (for -L only)  
2 M25 stopping plugs

**APPROVALS**

**Hazardous locations**

PTB 09 ATEX 1061 U	PTB 09 ATEX 1061 U
Ex II 2G Ex e (e mb) II	Ex II 2G Ex e (e mb) II
Ex II 2D Ex tD (tD mbD) A21 IP66	Ex II 2D Ex tD (tD mbD) A21 IP66
IECEX PTB 09.0039U	IECEX PTB 09.0039U
Ex e (e mb) II	Ex e (e mb) II
Ex tD (tD mbD) A21 IP 66	Ex tD (tD mbD) A21 IP 66

 Ex e II T* Ex em II T* (for -L only)	 ex e II T* Ex em II T* (for -L only)
---	---

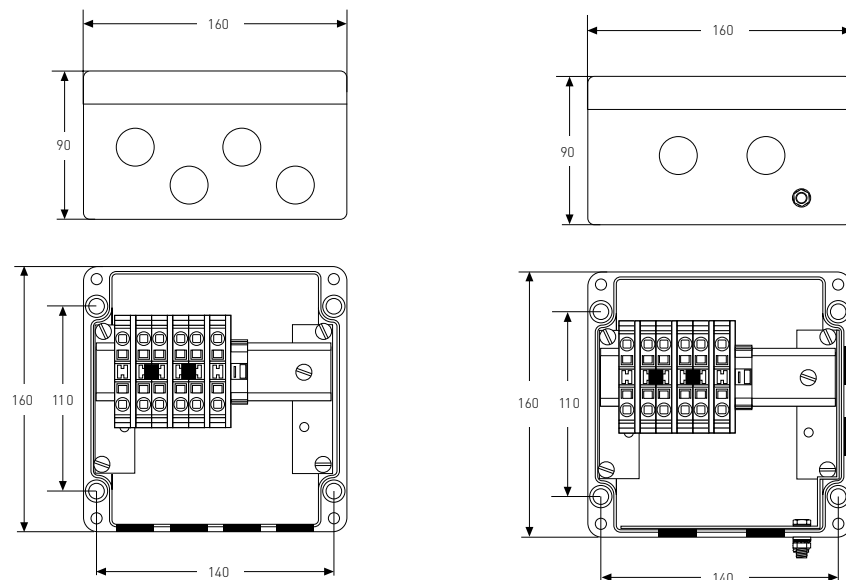
DNV approval DNV Certificates No. E-11564 and No. E-11565	DNV approval DNV Certificates No. E-11564 and No. E-11565
--	--

\*For T-rating, see heating cable or design documentation  
 This product also has all required approvals for use in Kazakhstan, Russia and other countries.  
 Contact your local Pentair Thermal Management representative for more details.

**DIMENSIONS (NOMINAL)**

**JBU-100-E  
JBU-100-L-E**

**JBU-100-EP  
JBU-100-L-EP**



**PRODUCT SPECIFICATIONS**

Ingress protection	IP66	IP66
Entries	4 x M25	4 x M25
Ambient temperature range	-50°C to +56°C* (JBU-100-E) -40°C to +40°C (JBU-100-L-E)	-50°C to +56°C* (JBU-100-EP) -40°C to +40°C (JBU-100-L-EP)
	*Extra conditions for safe use apply for ambient temperatures above +40°C. Please refer to the the summary on page 170, the certificate or installation instructions for full details.	
Terminals	Spring-type terminals 2 phase, 2 neutral, 2 ground	Spring-type terminals 2 phase, 2 neutral, 2 ground
Max. conductor size	10 mm <sup>2</sup> stranded, 10 mm <sup>2</sup> solid	10 mm <sup>2</sup> stranded, 10 mm <sup>2</sup> solid
Max. operation voltage	480 Vac	480 Vac
Max. current rating	40 A	40 A

**MATERIALS OF CONSTRUCTION**

Enclosure, lid	Electrostatic charge-resistant glass-filled engineered polymer, black	Electrostatic charge-resistant glass-filled engineered polymer, black
Lid screws	Stainless steel	Stainless steel
Lid gasket	Silicone rubber	Silicone rubber
Earth continuity plate	N/A	Steel, zinc plated, and blue chromated

**OPTIONAL LED INDICATOR LIGHT**

Colour	Green	Green
Voltage rating	100-254 Vac	100-254 Vac
Power consumption	< 1 W	< 1 W

**Ordering details****JUNCTION BOX**

Part Description	JBU-100-E	JBU-100-EP
PN (Weight)	051976-000 (1.7 kg)	243948-000 (1.8 kg)

**JUNCTION BOX WITH LIGHT**

Part Description	JBU-100-L-E	JBU-100-L-EP
PN (Weight)	069262-000 (2.1 kg)	113974-000 (2.2 kg)

**ACCESSORIES**

Heating cable connection kits	C25-100, C25-21, CCON25-100	C25-100, C25-21, CCON25-100, C25-100-METAL
Insulation entry kit	IEK-25-04 or IEK-25-PIPE	IEK-25-04 or IEK-25-PIPE
Power cable gland	GL-36-M25 (included)	GL-38-M25-METAL (optional)
Junction box support bracket (optional)	SB-100, SB-101	SB-100, SB-101



[WWW.PENTAIRTHERMAL.COM](http://WWW.PENTAIRTHERMAL.COM)

**EUROPE, MIDDLE EAST, AFRICA**

Tel: +32.16.213.511  
Fax: +32.16.213.603  
[thermal.info@pentair.com](mailto:thermal.info@pentair.com)

**UNITED KINGDOM**

Tel: 0800 969 013  
Fax: 0800 968 6241  
[salesthermaluk@pentair.com](mailto:salesthermaluk@pentair.com)

**IRELAND**

Tel: 1800 654 241  
Fax: 1800 654 240  
[salesie@pentair.com](mailto:salesie@pentair.com)

All Pentair trademarks and logos are owned by Pentair. All other brand or product names are trademarks or registered marks of their respective owners. Because we are continuously improving our products and services, Pentair reserves the right to change specifications without prior notice. Pentair is an equal opportunity employer.

© 2013 Pentair. All Rights Reserved.