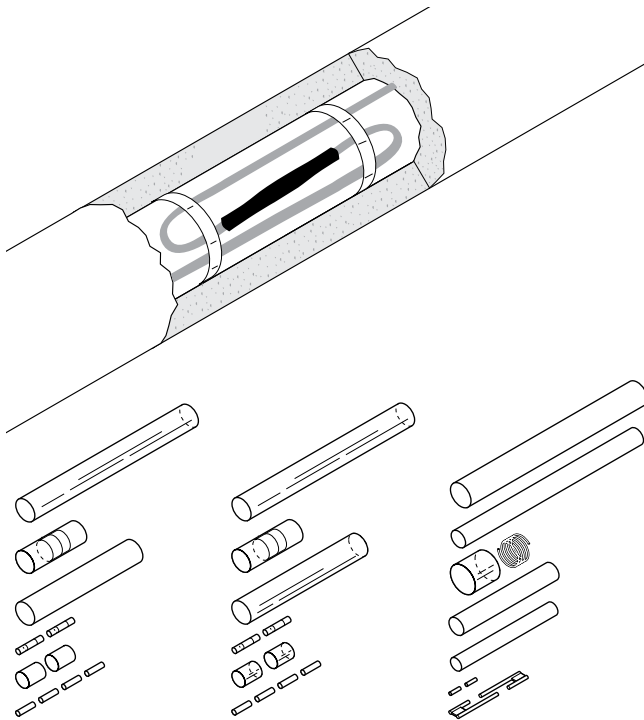


Raychem S-19, S-21 AND S-69

HEAT-SHRINK UNDER INSULATION IN-LINE SPLICE KIT



These splice kits are designed for the in-line joining of Raychem self-regulating heating cables. The kit S-19 is designed for use with BTV heating cables, the S-21 for QTVR and the S-69 is for use with XTV and KTV heating cables.


All kits are approved for use in hazardous areas. The splice kits employ easy to use heat-shrinkable tubing with an adhesive, that when heated forms a semi-flexible moisture proof encapsulation.

Electrical continuation is maintained via crimps for the conductors and a solder connection for the braid of the heating cable.

Due to its low profile design the finished splice can be installed under the insulation, directly on the pipe.

APPLICATION	S-19	S-21	S-69
	In-line splice kit for BTV heating cables	In-line splice kit for QTVR heating cables	In-line splice kit for XTV and KTV heating cables

KIT CONTENTS	S-19	S-21	S-69
	heat-shrinkable adhesive coated sleeves insulation sleeves solder sleeves crimps	heat-shrinkable adhesive coated sleeves insulation sleeves solder sleeves crimps	heat-shrinkable sleeves adhesive liners insulation sleeves high temperature solder crimps

APPROVALS
 II 2G/D Ex e II by PTB and Baseefa Ltd. according to EN/IEC 60079-30-1 DNV Certificate No. E-11564 [S-19 & S-21] DNV Certificate No. E-11565 [S-69]

This product also has all required approvals for use in Kazakhstan, Russia and other countries. Contact your local Pentair Thermal Management representative for more details.

S-19, S-21 AND S-69

PRODUCT SPECIFICATIONS	S-19	S-21	S-69
Max. exposure temperature	85°C	135°C	160°C
Maximum current rating	40 A	40 A	40 A
Dielectric strength	1.3 – 3.5 MV/m	2.2 MV/m	> 6 MV/m
Volume resistivity	10 ¹² Ω cm	10 ¹³ Ω cm	10 ¹⁰ Ω cm
Final dimensions	length approx. 180 mm	length approx. 180 mm	length approx. 300 mm diameter approx. 20 mm

INSTALLATION DETAILS

Heat shrinkable tubing	125°C and 175°C	125°C and 175°C	200°C
Solder	120°C	120°C	approx. 240°C
Gas torch or equivalent	min. 1460 W hot air gun	min. 1460 W hot air gun	min. 1460 W hot air gun

ORDERING DETAILS

Part description	S-19	S-21	S-69
PN (Weight)	669854-000 (0.05 kg)	358745-000 (0.05 kg)	933309-000 (0.11 kg)



WWW.PENTAIRTHERMAL.COM

EUROPE, MIDDLE EAST, AFRICA

Tel: +32.16.213.511
Fax: +32.16.213.603
thermal.info@pentair.com

UNITED KINGDOM

Tel: 0800 969 013
Fax: 0800 968 6241
salesthermaluk@pentair.com

IRELAND

Tel: 1800 654 241
Fax: 1800 654 240
salesie@pentair.com

All Pentair trademarks and logos are owned by Pentair. All other brand or product names are trademarks or registered marks of their respective owners. Because we are continuously improving our products and services, Pentair reserves the right to change specifications without prior notice. Pentair is an equal opportunity employer.

© 2013 Pentair. All Rights Reserved.