

Description



Digital timer thermostat for floor sensing or/and room sensing applications including min. and max. floor temperature limitation function.

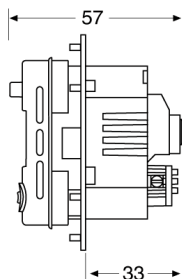
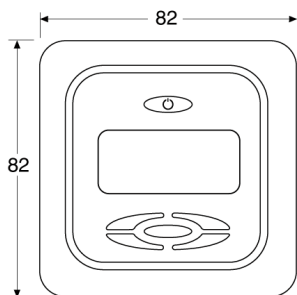
Product Properties

- Automatic sensing of sensor mode (floor or room)
- Manual ON/OFF by 2-pole main power switch
- Big display with blue backlight
- Built-in timer function
- 4 operation modes
 - Standard mode (Comfort)
 - 2 editable pre-programmes (EcoHome, EcoOffice)
 - Summer mode (off-mode)
- Daily editable in time blocks of 30 minutes
- Adaptive function in order to reach desired temperature at desired time
- Booster function for fast heat-up (+5°C for max 2 hours)
- Read-out of actual floor sensor temperature
- Monitoring of floor or room sensor. In the event of failure of an active sensor, the underfloor heating system is switched off.
- Possibility to lock the settings e.g. public buildings

Operation Sensor mode

- Room sensing only
- Floor sensing only
- Room sensing with min./max. floor temperature limitation e.g. for wooden floors

Technical Data



Supply voltage	230 VAC +10%, -15%, 50/60 Hz
Relay output	Heating cable 230 V, max 13 A
Temperature range floor sensor	+5°C to +35°C
Temperature range room sensor	+5°C to +40°
Limitation of range	Low +5°C/ high +35°C
Ambient temperature-operation	0°C to +40°C
Ambient temperature-transport	-20°C to +50°C
Accuracy-floor/room sensor	+/- 0,5°C
Switching hysteresis	0,5°C
Control modes	Floor or room sensing or room sensing with limiter
Clock function	2 pre-programmes : EcoHome, EcoOffice; editable in blocks of 30 min; daily programmable
Back-up for set values	Non-volatile memory
Back-up for time and date	24 hrs
Protection class	IP21
Terminals	Max. 2,5 mm ²
Floor sensor	With 3 m cable NTC, 10K / 25°C
Max length of floor sensor	100 m, 2 x 1,5 mm ² (230 VAC cable)
Diameter sensor cable	4 mm
Diameter sensor tip	6 mm, length 32 mm
Dimensions with frame	H 82 x W 82 x D 57 mm
Color	Polar white RAL 9010
Approvals	Semko, VDE, EuBac

System Information

- Raychem underfloor heating thermostats are used with
- T2QuickNet mats 90 W/m² and 160 W/m²
 - T2Red – Self-regulating heating cable
 - T2Blue 10 W/m² and T2Blue 20 W/m² heating cables

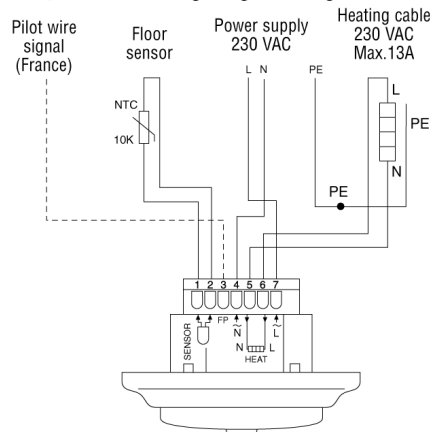
Compatibility with wall boxes

An extra square front plate for square frames is provided as a standard.

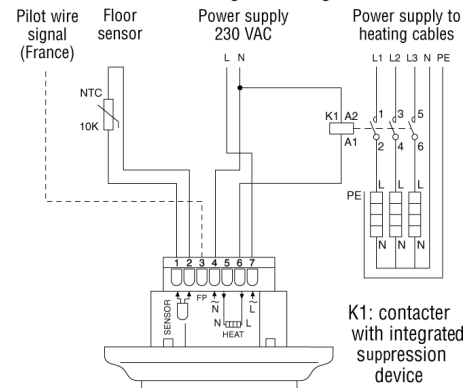
Switch manufacturer	Light switch product range
Busch + Jäger	Reflex SI, Jussi
Eljo	Trend
Elko	RS, L571
Gira	ST55 Standard, E2
Jung	AS
Merten	M-Plan, M-Smart, M-Arc, Atelier, M-Antik, Thermo, M-Star

Wiring diagram


Direct, connection – e.g. single heating circuit



Connection via contactor – e.g. 3 heating circuits



K1: contactor with integrated suppression device

 Do not use contactor without interference filter.

Ordering information

R-TC-NRG	1244-002513
----------	-------------

Accessories

Silver-R-TC silver coloured front parts	1244-010130
Sensor-N10K spare floor sensor	1244-002952
Silver Raychem TC-NRG-Squared	1244-010132
Adapter UK wall box	1244-010134

All of the above information, including illustrations, is believed to be reliable. Users however, should independently evaluate the suitability of each product for their application. Tyco Thermal Controls makes no warranties as to the accuracy or completeness of the information and disclaims any liability regarding its use. Tyco Thermal Controls only obligations are those in the Standard Terms and Conditions of Sale for this product and in no case will Tyco Thermal Controls be liable for any incidental, indirect or consequential damages arising from the sale, resale, use or misuse of the product. Tyco Thermal Controls Specifications are subject to change without notice. In addition Tyco Thermal Controls reserves the right to make changes in materials or processing, without notification to the Buyer, which do not affect compliance with any applicable specification.