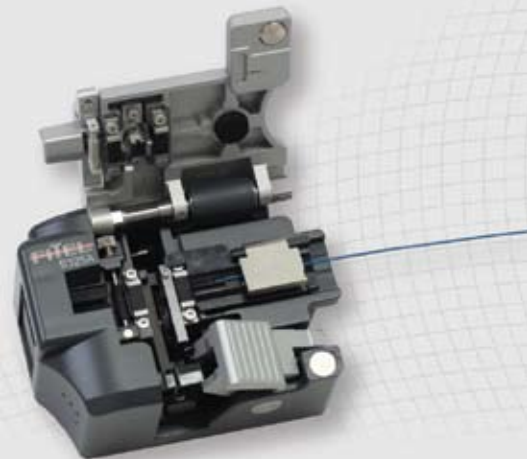


S325A, S310, & S315 Cleavers One-Step Cleaving... In the Palm of Your Hands

S325A Hand-Held High Precision Cleaver

Key Features

- One-Step Action
- Cleave Anywhere! – In Your Palm or on Your Desktop
- Easy Fiber Loading
- Simple Operation
- High Capacity Waste Fiber Collection
- Durable Design
- Easy Maintenance on-Site



SPECIFICATIONS:

Fiber Types	All fiber types, single to 12-fiber ribbons
Clad Diameter	0.125 mm
Coating Diameter	0.25 mm and 0.9 mm for single fiber; 0.3 mm to 0.4 mm thickness for ribbons
Cleave Length	Single Fiber: Fixed Length - 10 & 16 mm Variable Length - 3 to 20 mm Ribbon Fiber: 10 mm Fixed Length
Dimensions/Weight	93W×68D×52H mm, 330 g

* S325S80 High precision cleave for 80 μm cleaving is also available.



STANDARD COMPONENTS:

P/N	Description	Quantity
S325X-01	Main Body	1
S325X-02	Soft Carrying Case	1
S325X-03	Normal Fiber Waste Bin	2
S325X-04	Single Fiber Adapter	1
S325X-05	Large Capacity Fiber Waste Bin	1
FTS-B277	User's Manual	1

S310 and S315 Single Fiber Cleavers

The FITEL S310 and S315 Single Fiber Field Cleavers are designed for cleaving fiber in the field quickly and easily. The S310 and S315 Field Cleavers can accommodate 0.25 mm and 0.9 mm coating diameters and their small lightweight size makes them the perfect addition to any field splicing system. The S310 and S315 field cleavers require some skill to achieve the desired cleave angle and may not be appropriate for some splicing applications. The S310 Cleaver is specifically designed to cleave fiber in the field accurately to a 16 mm length. The S315 Cleaver has a graduated scale, which allows for cleave lengths of 5 to 20 mm.

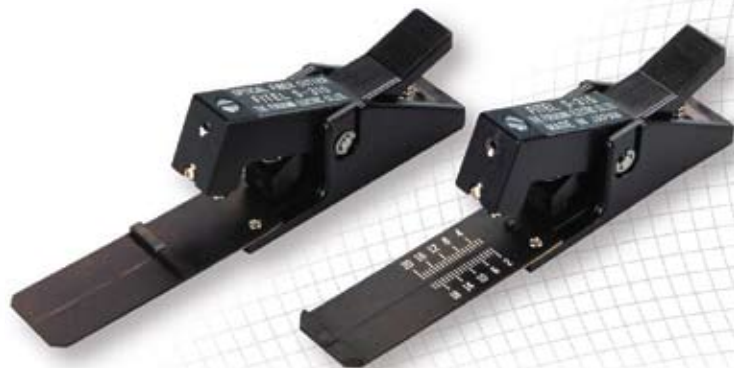
APPLICABLE OPTICAL FIBER:

Silica glass-based optical fibers, single fiber, 0.25 mm and 0.9 mm coating diameter, 0.125 clad diameter.

MODELS:

S310: For cleaving to 16 mm length

S315: For cleaving 5 to 20 mm length adjusting with scale



Contact Us:

Fusion Splicer Customer Service, Training and Service Center

417 Dividend Drive
Peachtree City, GA 30269, USA
Toll Free: 866-452-9516
Phone: 678-783-1090
Fax: 678-783-1093
Email: splicers@ofsoptics.com

OFS Corporate Headquarters

2000 Northeast Expressway
Norcross, Georgia 30071, USA
Toll Free: 888-Fiber-Help
Intl. Phone: 770-798-5555
Email: ofs@ofsoptics.com

For additional information please contact your sales representative. You can also visit our website at:
<http://www.ofsoptics.com>.

FITEL is a trademark of Furukawa Denki Kogyo Kabushiki Kaisha DBA The Furukawa Electric Co., Ltd Corporation.

OFS reserves the right to make changes to the prices and product(s) described in this document in the interest of improving internal design, operational function, and/or reliability.

This document is for informational purposes only and is not intended to modify or supplement any OFS warranties or specifications relating to any of its products or services.

Copyright © 2009 OFS FITEL, LLC.
All rights reserved, printed in USA.

OFS
Marketing Communications
FITEL-S325-S315-S310-0409



Use electronic files, available at:
www.ofsoptics.com - Use less paper