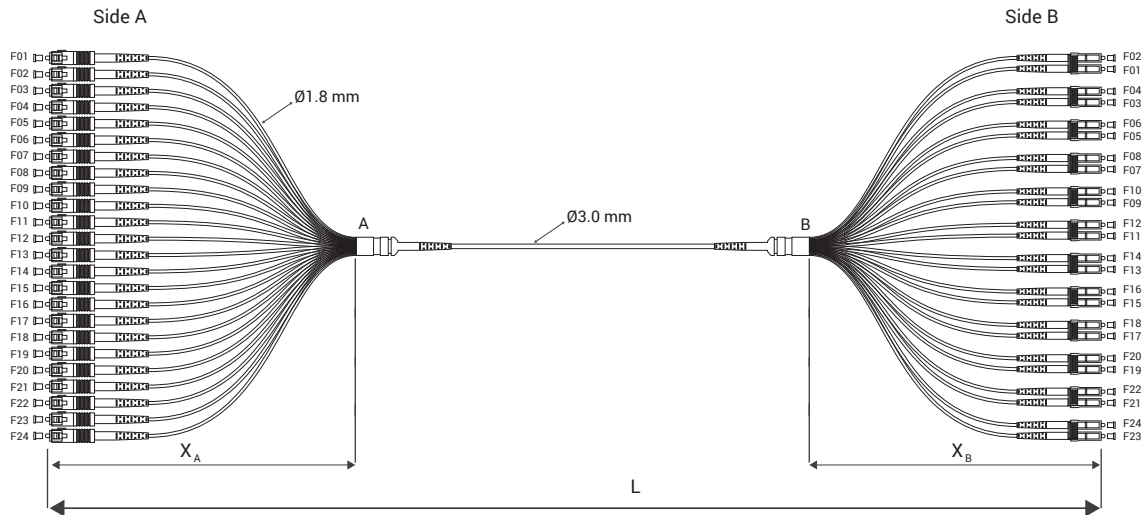
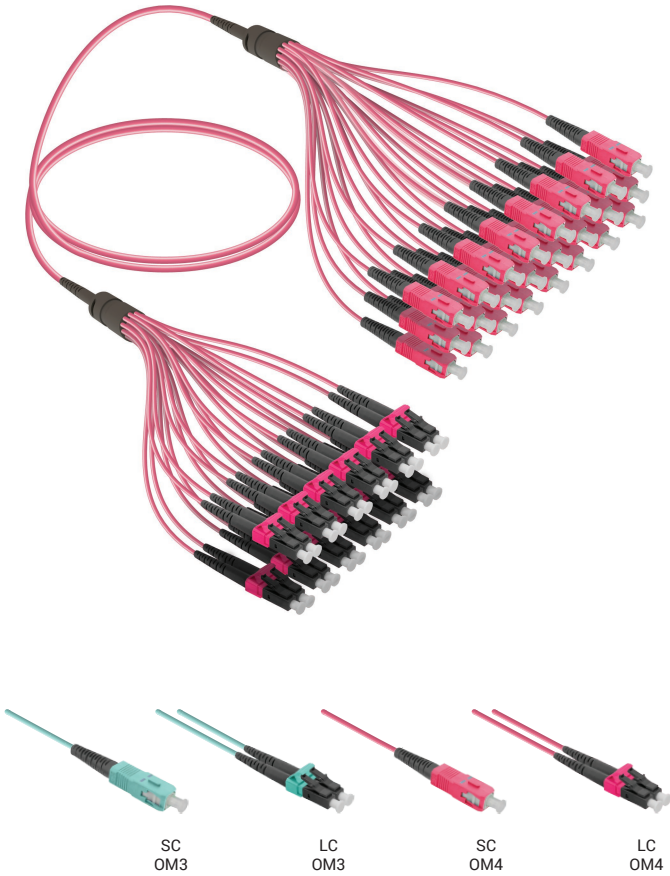


## Fanout Multi Mode 24 Fibers 1.8mm

### Properties

LC Connector Compliance	IEC 61754-20, TIA 604-10-A, RoHS
SC Connector Compliance	IEC 61754-4, TIA 604-3, RoHS
Fiber Count	24 Fibers
Cable Diameter	3.0mm
Subunit Diameter	1.8mm
Alignment Technology	Full ceramic ferrule (Zirconia ZrO2)
Operating Temperature	-40°C to +85°C
Flammability	UL94 V-0
Durability	> 1000 mating cycles
Transmission with Applied Tensile Load	GR-326 CORE 4.4.3.5
Insertion Loss: IEC 61300-3-4-MB	Multimode: ≤ 0.40dB
Return Loss: IEC 61300-3-6-MB	Multimode: ≥ 40dB
Connector End Face Geometry	IEC 61755-3



\* X (Tube Length) is standard 500mm. Please contact us for different tube length.

Sample Coding **I - PC - 24 - FC - 318 - M4 - 24SCS - 12LCD - 005M**

Type	Type	Fiber Count	Cable Type	Diameter	Fiber Type	1. Connector	2. Connector	Length
Indoor: I	Patch Cord: PC	24 Fibers: 24	Fanout: FC	3.0/1.8mm: 318	MM G.651 OM3: M3 MM G.651 OM4: M4	SC-UPC: 24SCS LC-UPC: 12LCD	SC-UPC: 24SCS LC-UPC: 12LCD	__M