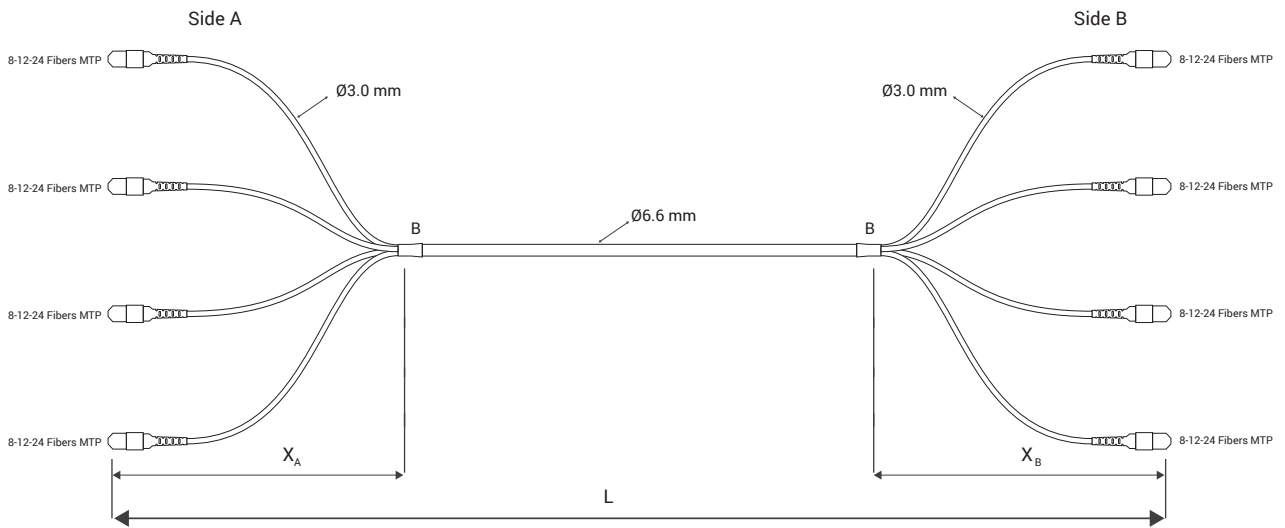
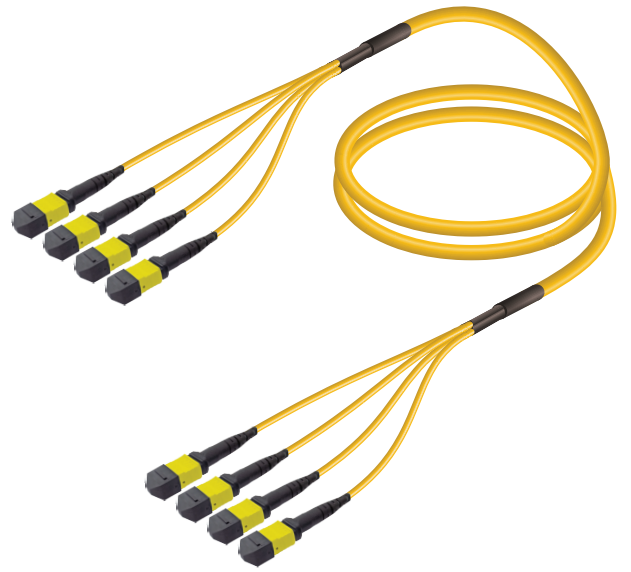


## 4xMTP-4xMTP Single Mode Breakout

### Properties

MTP Connector Compliance	IEC 61754-7, TIA 604-5, RoHS
Base-8	32 Fibers
Base-12	48 Fibers
Base-24	96 Fibers
Cable Diameter	6.6mm
Subunit Diameter	3.0mm
Operating Temperature	-10°C to +70°C
Flammability	UL94 V-0
Durability	> 100 mating cycles
Transmission with Applied Tensile Load	50 Newton
Insertion Loss: IEC 61300-3-4-MB	Average: 0,10dB, Max: 0,35dB
Return Loss: IEC 61300-3-6-MB	Singlemode: ≥ 60dB



\* X (Tube Length) is standard 500mm. Please contact us for different tube length.

Sample Coding

**I - PC - 48 - MB - 663 - A2 - B - 04MTPEf - 04MTPEf - 005M**

Type	Type	Fiber Count	Cable Type	Diameter	Fiber Type	Polarization	1. Connector	2. Connector	Length
Indoor: I	Patch Cord: PC	8x4 Fibers: 32 12x4 Fibers: 48 24x4 Fibers: 96	MTP/Breakout: MB	6.6/3.0mm: 663	SM G.657 A2: A2	A Polarization: A B Polarization: B	4xMTP-Female: 04MTPEf 4xMTP-Male: 04MTPEm	4xMTP-Female: 04MTPEf 4xMTP-Male: 04MTPEm	...M