

Screened Separable Connector

for IEC dead-break Type C bushings



D
A
T
A
S
H
E
E
T

RPBCT-42A

**Asymmetrical Branch 1250A up to 42 kV
for use with RPCT-42A connector**

Suitable for connecting all types of polymeric insulated cables when a multiple connection is needed from equipment with bushings Type C according to EN 50180 and EN 50181.

This product must be used in combination with the compact asymmetrical connector RPCT-42A

- For Voltage Range up to 20.8/36 (42) kV
- Continuous current 1250A
- Meets the requirements of IEC 60502-4 and CENELEC HD 629.1 S2
- No minimum phase clearance requirements
- Very compact design – asymmetrical body allows minimum depth of connection for 2 or 3 cables per phase
- Suitable for Copper or Aluminium Conductors from 300-630mm²
- Integrated mechanical screw type lug
- EPDM moulded body with semi-conductive outer layer
- Easy to install with comprehensive instructions included in each kit
- Each connector body is factory tested for partial discharge and AC withstand to ensure 100% reliability
- Unlimited shelf life at normal storage temperatures



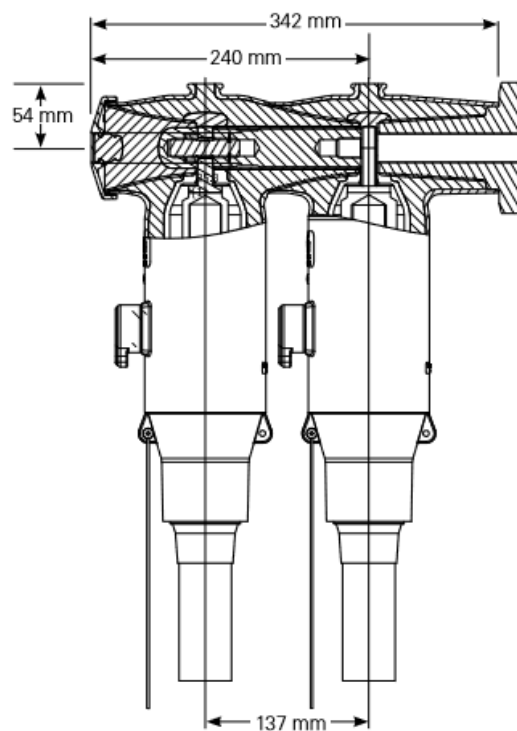
Standard Kit Contents:

- Set of 3 separable branch connector bodies
- Set of 3 Silicon Stress Control Elements
- Set of 3 screw type lug and connecting stud
- Earthing connections and mastic sealants
- Installation materials and instructions

Associated Equipment:

- Compact Asymmetrical Connector RPCT-42A MUST be used with this product as the initial connection to the bushing – then this branch connector can be added for additional one or 2 more connections
- For cables with tape screen, a separate earth connection kit is available

Dimensions:



1 X RPBCT-42A installed in back of RPCT-42A



Screened Separable Connector

For IEC Dead-break Type C Bushings

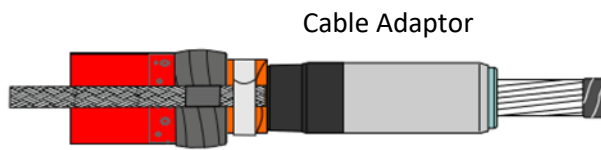


RPBCT-42A

Asymmetrical Branch 1250A up to 42 kV
for use with RPCT-42A connector

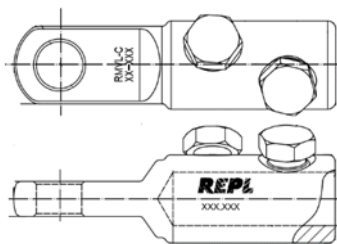
Selection Guide:

1. Select the adaptor type to fit over the prepared insulation according to the table:



Cable Adaptor Type "X"	Cable Insulation ϕ Range (mm)
A	28.2 – 32.3
B	31.1 – 35.7
C	35 – 39.1
D	37.2 – 41.6
E	40.1 – 44.8
F	42.9 – 47.9
G	46.5 – 51.9
H	50 – 56

2. Select the cable lug to fit the conductor cross sectional area, according to the table:



Cable Lug Code "Y"	Cable Conductor Range (mm ²)
RMVL-C400-630	400 – 630

3. Full Product Code is determined by the adaptor selection and cable lug type :

RPBCT-42A-X-Y

For Example:

- Cable System Voltage = 42 kV
- Cable Conductor Cross Sectional Area = 400mm²
- Cable Insulation Diameter ϕ = 38.8mm

Product Code = **RPBCT-42A-D-RMVL-C400-300**

(This kit is a set of three phases)

Notes

Other types of centre palm lugs can be used, such as compression types.

For cables with copper tape screens, an additional earth kit needs to be specified.

Contact your local REPL Sales Office for details.

REPL reserve the right to update the information contained in this document at any time without notice. It is the users responsibility to ensure it is suitable for the intended application. Any implied warranty relating to fitness for a particular purpose are explicitly excluded unless agreed in writing by REPL.

©REPL 2018

