

# Screened Separable Connector

For IEC Dead-break Type C Bushings



## RPCT-42A

### Asymmetrical Elbow 1250A up to 42 kV

Suitable for connecting all types of polymeric insulated cables to equipment with bushings Type C2 according to EN 50180 and EN 50181.

- For Voltage Range up to 20.8/36 (42) kV
- Continuous current rating up to 1250A
- Meets the requirements of IEC 60502-4 and CENELEC HD 629.1 S2
- No minimum phase clearance requirements
- Compact design – asymmetrical body allows minimum depth of connection – especially when multiple connections are used
- Mounting can be vertical, horizontal, or any angle in between
- Suitable for Copper or Aluminium Conductors from 300-630mm<sup>2</sup>
- Integrated mechanical screw type lug
- EPDM moulded body with semi-conductive outer layer
- Easy to install with comprehensive instructions included in each kit
- Each connector body is factory tested for partial discharge and AC withstand to ensure 100% reliability
- Companion Branch Connector RPCBT-42A available for making multiple connections from same bushing
- Unlimited shelf life at normal storage temperatures



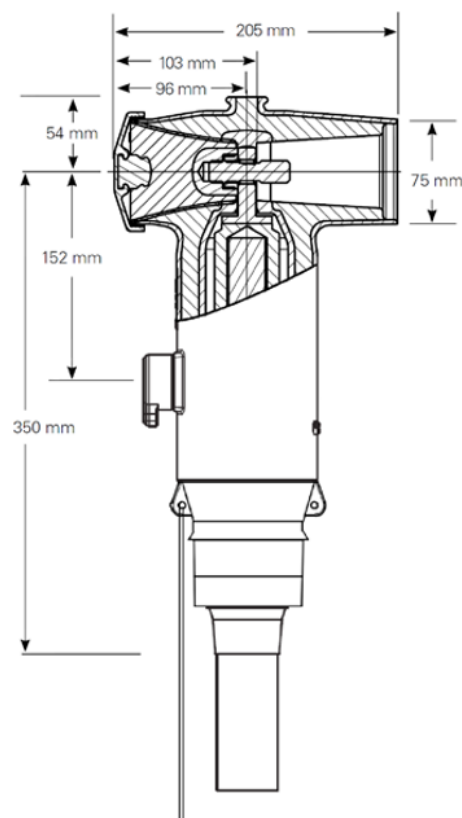
#### Standard Kit Contents:

- Set of 3 separable connector bodies and insulating back plug
- Set of 3 Silicon Stress Control Elements
- Set of 3 screw type lug and connecting stud
- Earthing connections and mastic sealants
- Installation materials and instructions

#### Associated Equipment:

- For cables with tape screen, a separate earth connection kit is available
- For multiple connections to one bushing, use RPCBT-42A branch connector

#### Dimensions:



Please see overleaf for selection guide

# Screened Separable Connector

For IEC Dead-break Type C Bushings

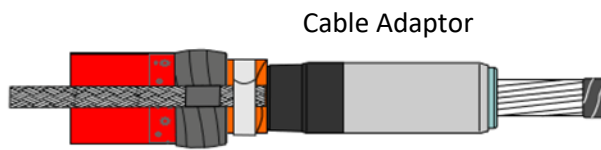


## RPCT-42A

Asymmetrical Elbow 1250A up to 42 kV

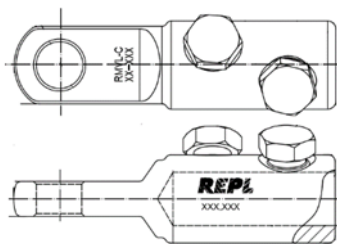
### Selection Guide:

1. Select the adaptor type to fit over the prepared insulation according to the table:



Cable Adaptor Type "X"	Cable Insulation $\phi$ Range (mm)
A	28.2 – 32.3
B	31.1 – 35.7
C	35 – 39.1
D	37.2 – 41.6
E	40.1 – 44.8
F	42.9 – 47.9
G	46.5 – 51.9
H	50 – 56

2. Select the cable lug to fit the conductor cross sectional area, according to the table:



Cable Lug Code "Y"	Cable Conductor Range (mm <sup>2</sup> )
RMVL-C400-630	400 – 630

3. Full Product Code is determined by the adaptor selection and cable lug type :

## RPCT-42A-X-Y

### For Example:

- Cable System Voltage = 42 kV
- Cable Conductor Cross Sectional Area = 400mm<sup>2</sup>
- Cable Insulation Diameter  $\phi$  = 38.8mm

Product Code = **RPCT-42A-D-RMVL-C400-300**

(This kit is a set of three phases)

### Notes

Other types of centre palm lugs can be used, such as compression types.

For cables with copper tape screens, an additional earth kit needs to be specified.

*Contact your local REPL Sales Office for details.*