

## FullAXS – ruggedized sealing System



### Features

- Ruggedized sealing system for fiber-to-the-antenna and industrial application
- Open bulkhead for easy access to SFP
- Positive mechanical feedback to operator when fully mated
- Duplex LC interface
- Robust bayonet locking for easy, fast, and secure mating
- Water proof (IP 65, IP 67), dust proof and corrosion resistant
- Expansion to RJ45 and power possible

### Specifications

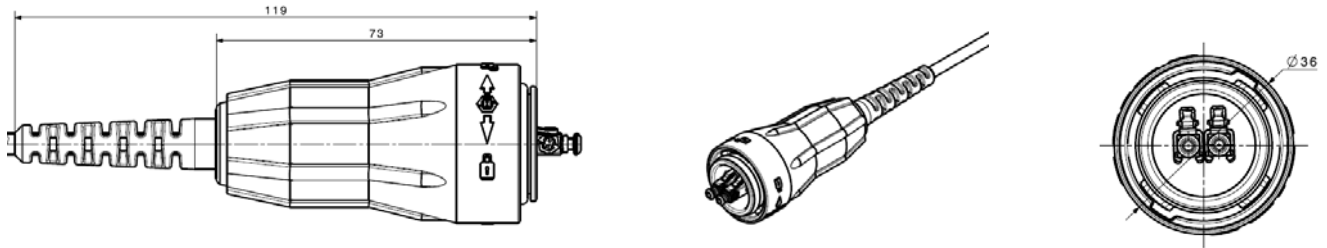
Mating mechanism		bayonet style locking
Housing material plug		high performance plastic
Bulkhead material		Aluminum die cast (AlSi 12)
Technology		LC with full ceramic ferrules
Mechanical performance	tensile load	150 N
	static side load	30 N
Operating temperature		- 40 °C to + 85 °C
Mating durability	IEC 61300-2-2	100 cycles
Ingress protection (mated)	IEC 60529	IP 65 / IP 67
Vibration	IEC 61300-2-1	passed 10 Hz – 500 Hz / 10 g
Performance standards	IEC 61753-1 cat. E	compliant
	Telcordia GR 3120	compliant
Dimensions	Length	119 mm
	Diameter	Ø 36 mm
Cable diameter		Ø 4.5 - 9 mm
Weight Bulkhead		45g

### Optical performance

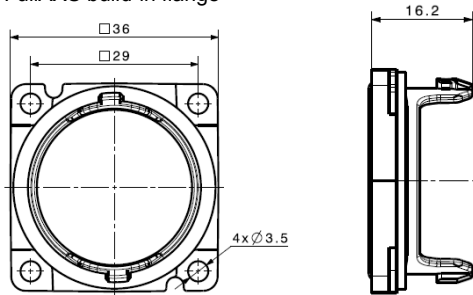
Insertion loss	singlemode	typ. ≤ 0.20 dB	97% ≤ 0.45 dB
	multimode	typ. ≤ 0.20 dB	97% ≤ 0.50 dB
Return loss	singlemode	≥ 50dB	

# FullAXS – ruggedized sealing System

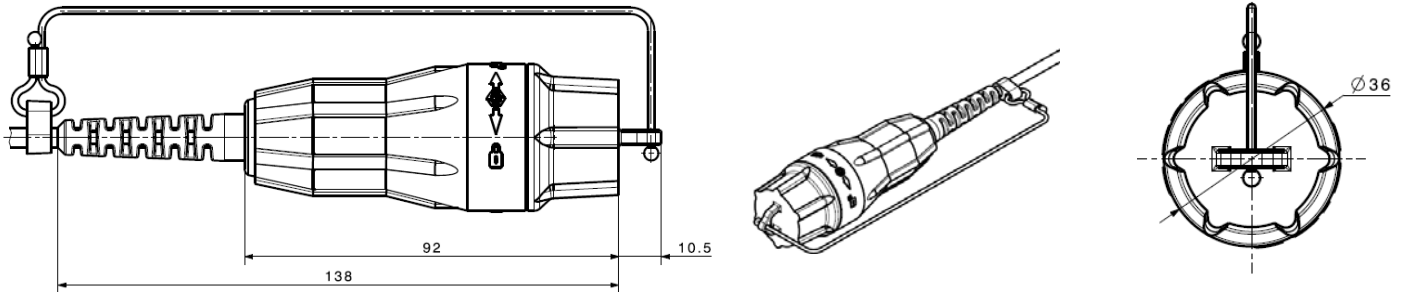
Type Z4: FullAXS plug



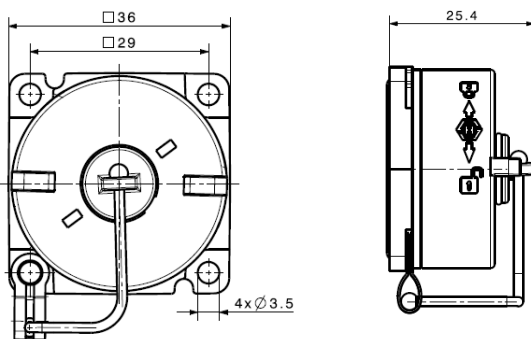
Type: FullAXS build-in flange



Type Z4: FullAXS plug (with cap)



Type: FullAXS build-in flange (with cap)



HUBER+SUHNER is certified according to ISO 9001, ISO 14001, ISO/TS 16949 and IRIS.

**WAIVER**

It is exclusively in written agreements that we provide our customers with warrants and representations as to the technical specifications and/or the fitness for any particular purpose. The facts and figures contained herein are carefully compiled to the best of our knowledge, but they are intended for general informational purposes only.

HUBER+SUHNER AG  
 Degersheimerstrasse 14  
 9100 Herisau/Switzerland  
 Tel. +41 71 353 4111  
 Fax +41 71 353 4590  
 info@hubersuhner.com

