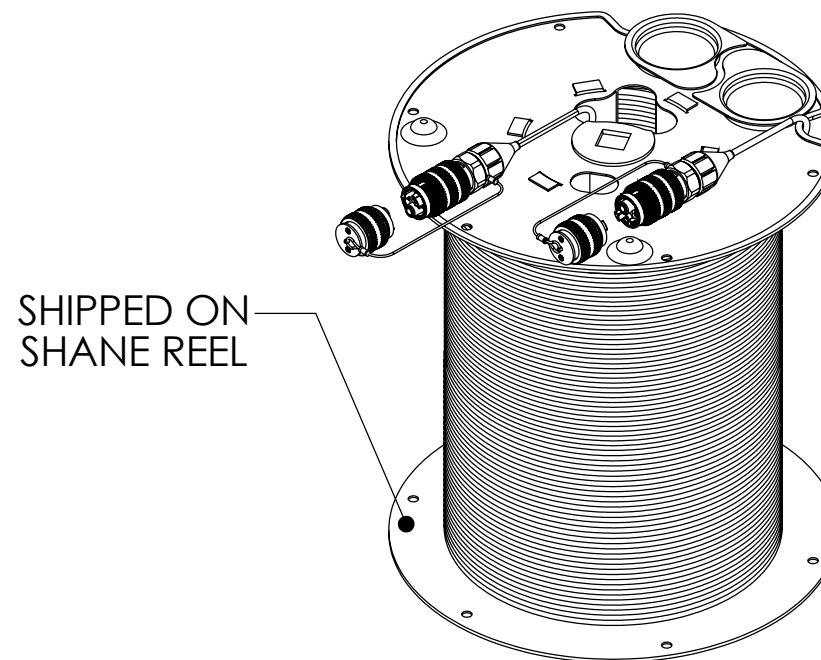
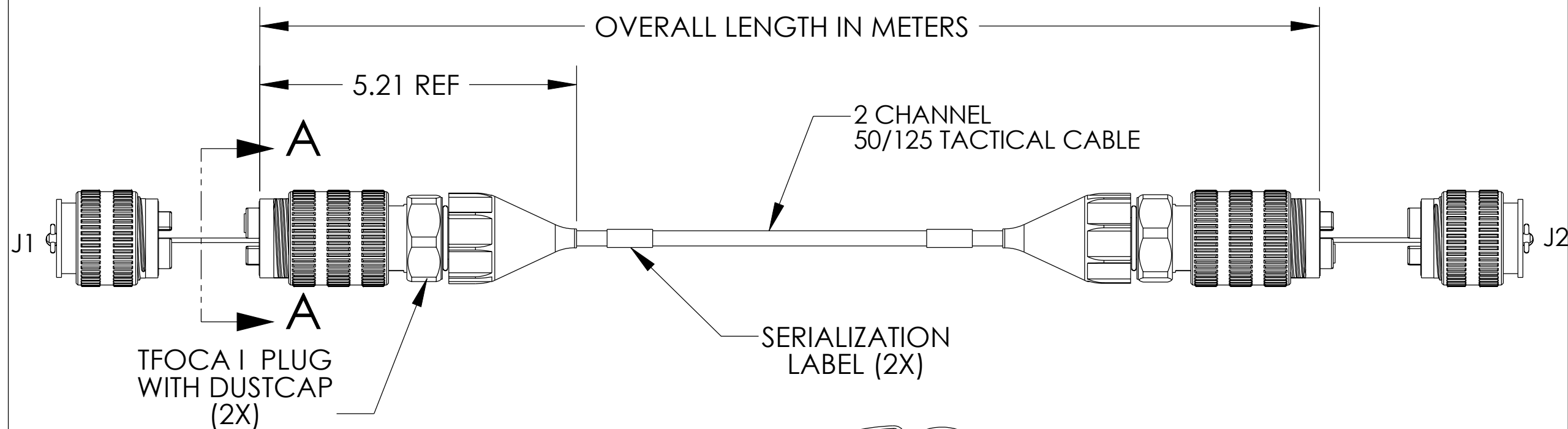


TABLE 1 - PINOUT	
CONNECTOR J1	CONNECTOR J2
J1-F	J2-M
J1-M	J2-F



NOTES:

1. MATERIAL: PLUG BODY, AND DUSTCAP;ALUMINUM 6061-T6
2. FINISH: CADMIUM - OLIVE DRAB
3. MAX MULTIMODE LINK LOSS (dB) = 2 * 1.5dB(LOSS PER CONNECTOR) + LENGTH OF CABLE(Km) * α. WHERE α = 3.5dB/Km @ 850 nm

stran TECHNOLOGIES 39 GREAT HILL RD
 NAUGATUCK, CT 06770
 (203) 729-2572

TITLE: CABLE ASS'Y,
 TFOCA I PLUG TO PLUG ON REEL,
 50/125 UM

LAST UPDATE: 11-24-09