

Flexible Splice Enclosure



The STRAN flexible splice enclosure is an easy and effective solution for protecting fiber-optic splices in field deployable applications. Its dimensions allow as many as 8 splices and the design and construction restore a cable's full tensile strength while allowing it to be flexible enough to coil around a field deployable reel. The stainless steel construction provides complete protection to splices from vibration, shock, and other harsh environmental conditions that might affect performance and functionality.

Possible applications include:

- Deployable military tactical systems
- Emergency restoration systems
- Video / data transmission
- Accommodates 1-8 spliced fibers
- Uses standard 40mm long splice
- 11" overall splice enclosure length
- 1.0" maximum splice enclosure diameter



Flexible Splice Enclosure on

- Minimum bend radius of 2-3/8"; 55 lbs to maintain this radius
- Pull force exceeding 400 lbs
- Supports both singlemode and multimode fiber types
- Mechanical shock: 8 foot drop on concrete-8 times
- Corrosion resistance of 500 hours in salt spray
- Operating temperature range: -54°C to +85°C
- Water tight in 30 feet of water or 15 psi for 24 hours
- Uses a Mil approved fiber optic cable retention mechanism



Flexible Splice Enclosure

MILITARY/TACTICAL

MILITARY SHIPBOARD

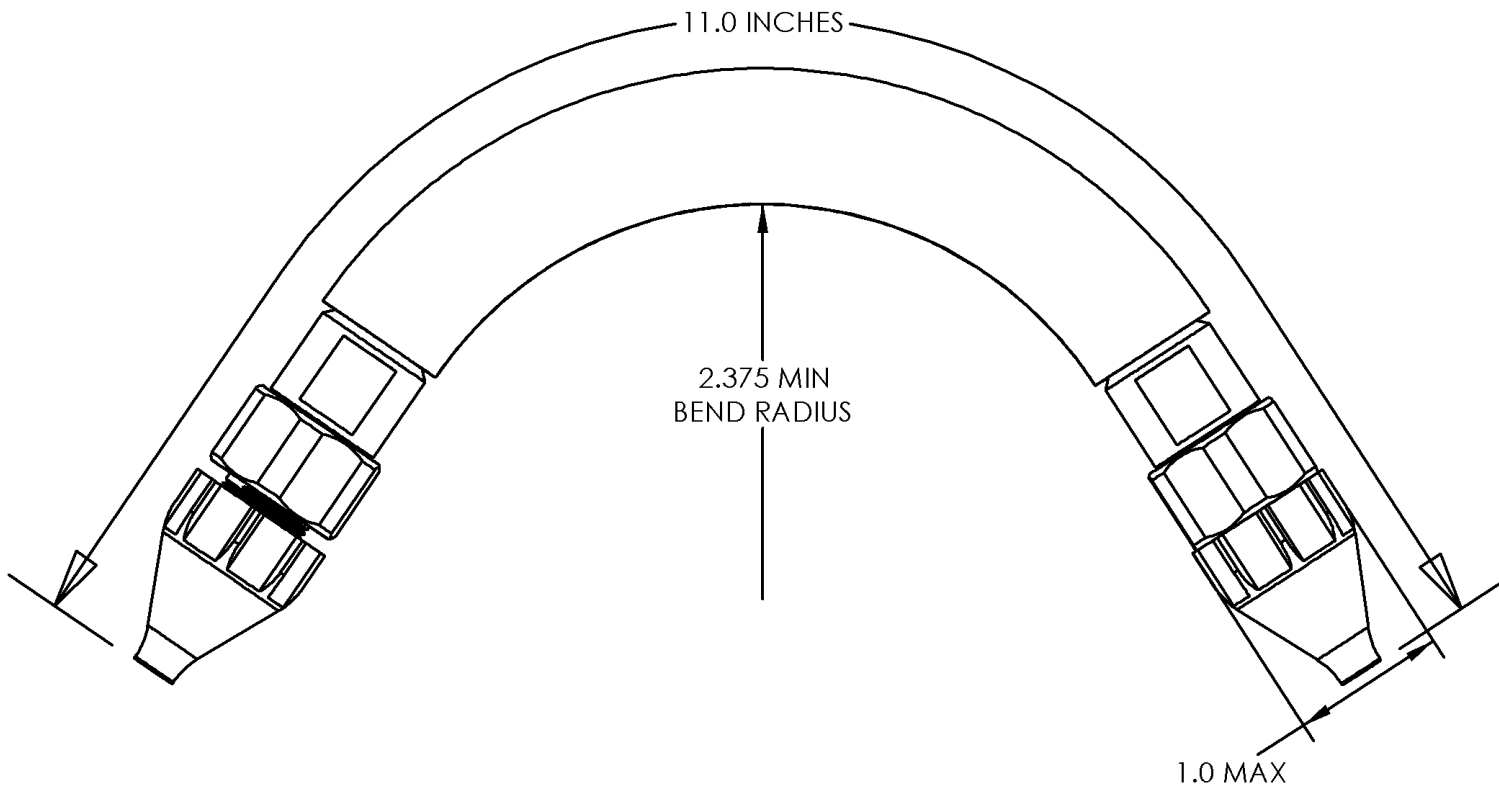
ENERGY

MINING

AEROSPACE

COMMERCIAL

Flexible Splice Enclosure



Performance Criteria and Specifications:

Optical Loss	Singlemode 9/125: 0.01 dB Multimode 50, 62.5/125: 0.02 dB
Splice	Standard 40mm splice
Length	Overall splice enclosure length: 11"
Diameter	Maximum splice enclosure diameter: 1"
Crush	Maximum crush pressure: 600 lbs / linear inch
Bend Radius	Maximum bend radius: 2-3/8", 55 lbs to maintain this radius
Pull Force	>400 lbs
Fluid Immersion	30 feet of water / 15 psi for 24 hours
Mechanical Shock	8 foot drop on concrete – 8 times
Temperature	Operating temperature: -54°C to +85°C
Corrosion	Corrosion resistance: 500 hours salt spray