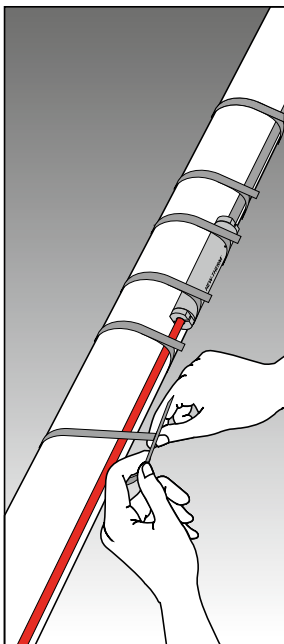


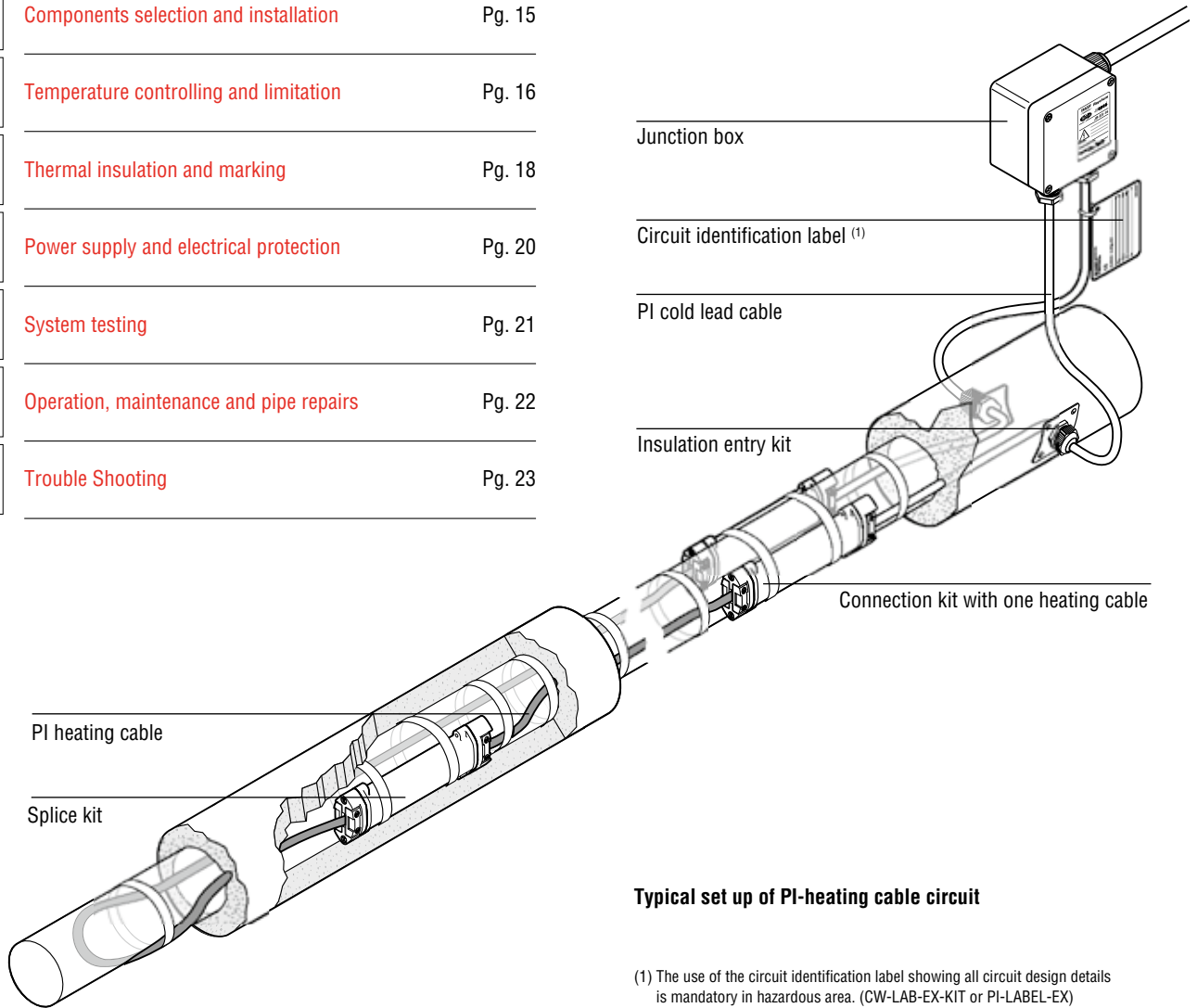
HEW-THERM[®]

Installation, Maintenance and Operation Manual



**Polymer Insulated (PI)
Series Constant Wattage
Heating Cable Systems**

1	General information	Pg. 4
2	Heating cable selection and storage	Pg. 6
3	Heating cable installation	Pg. 7
4	Components selection and installation	Pg. 15
5	Temperature controlling and limitation	Pg. 16
6	Thermal insulation and marking	Pg. 18
7	Power supply and electrical protection	Pg. 20
8	System testing	Pg. 21
9	Operation, maintenance and pipe repairs	Pg. 22
10	Trouble Shooting	Pg. 23



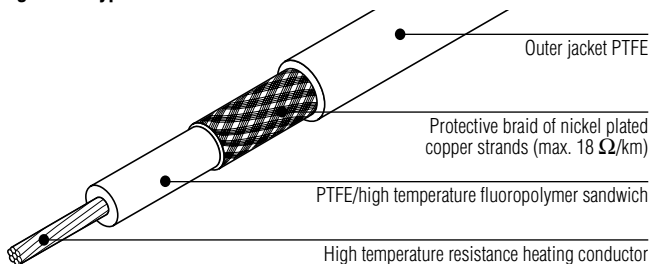
Typical set up of PI-heating cable circuit

(1) The use of the circuit identification label showing all circuit design details is mandatory in hazardous area. (CW-LAB-EX-KIT or PI-LABEL-EX)

Use of the manual

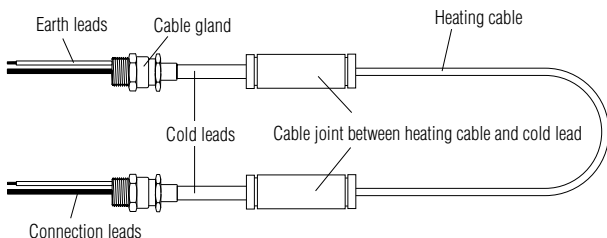
This Installation and Maintenance manual is for Tyco Thermal Controls series resistance heating cable systems on thermally insulated pipes, vessels and associated equipment only. In particular it refers to polymer insulated (PI) series heating cable systems, which feature a specific power output, varying with design parameters, mostly with cable length and voltage. This manual provides general information and shows an overview of the most common installations and applications of PI. **In any case, the information provided for specific projects will take precedence over this manual.**

Figure 1: Typical cable construction



Refer to applicable product datasheet for more detailed information.

Figure 2: Typical heating element set up



For information regarding other applications contact your Tyco Thermal Controls representative.

⚠ Important

For the Tyco Thermal Controls warranty to apply, the instructions that are included in this manual and product packages must be followed. The installation must also be in accordance with local National requirements applicable to electrical heat tracing systems, as well as the requirements of other International Standards, such as IEC 60079.

Personal involved in the installation, testing and maintenance of electric heat tracing systems must be suitably trained in all special techniques required, as well as in general electrical installation work. All work should be monitored by supervisors, experienced in heat tracing applications, and all installations must be carried out using the appropriate tools as described in the Tyco Thermal Controls literature and installation instructions.

Area Classification – Ordinary

XPI-NH

Area Classification - Hazardous, Zone 1 or Zone 2

Special conditions for safe use:

- The trace heating system is produced, and the temperature class is defined, by the manufacturer himself or on the manufacturer's responsibility.
- Only separate certified systems components as specified by the manufacturer will be used. These components have to conform with the standards specified on the system approval PTB 08 ATEX 1102X.
- Temperature monitoring devices have to be of the function-tested type, in compliance with the relevant regulations.
- The manufacturer's operating instructions must be complied with.

Certificate No.	Approvals coding
XPI (system)	
PTB 08 ATEX 1102X	II 2G Ex e II T2...T6 II 2D Ex tD A21 IP65 T290...T80°C
IECEX PTB 08.0051X	Ex e II T2...T6 Ex tD A21 PI65 T290...T80°C
XPI (bulk cable)	
PTB 08 ATEX 1088U	II 2G Ex e II II 2D tD A21
IECEX PTB 08.0049U	Ex e II Ex tD A21
XPI-S (system)	
PTB 08 ATEX 1102X	II 2G Ex e II T2...T6 II 2D Ex tD A21 IP65 T290...T80°C
IECEX PTB 08.0051X	Ex e II T2...T6 Ex tD A21 PI65 T290...T80°C
XPI-S (bulk cable)	
PTB 08 ATEX 1088U	II 2G Ex e II II 2D tD A21
IECEX PTB 08.0049U	Ex e II Ex tD A21

Other national approvals: Please contact Tyco Thermal Controls

2

Heating cable selection and storage

The selection of the proper heating cable and components, best suited for the application must be checked against the relevant product literature and the product properties, of which the most important are summarized in following table:

Table 1: List of heating cable properties

Heating cable type	XPI-NH	XPI	XPI-S
Maximum voltage U _i /U (V AC)	300/500	500/750	500/750
Maximum Withstand Temperature (°C)	260	260	260
Short term temperature exposure (°C)	260	300	300
Temperature Classification	n/a	T2-T6	T2-T6
Minimum Clearance (mm)(*)	20	20	20
Impact Resistance (J)	n/a	4	7
Minimum Installation Temperature (°C)	-60	-70	-70
Minimum Bending Radius @ -25 °C (mm)	2,5 x Ø	2,5 x Ø (Ø < 6mm) / 6 x Ø (Ø ≥ 6mm) /	2,5 x Ø (Ø < 6mm) 6 x Ø (Ø ≥ 6mm)
Minimum Bending Radius @ -60 °C (mm)	6 x Ø	2,5 x Ø (Ø < 6mm) / 6 x Ø (Ø ≥ 6mm) /	2,5 x Ø (Ø < 6mm) 6 x Ø (Ø ≥ 6mm)
Maximum Power Output (W/m)	See table below or use Tyco Thermal Controls Software		
Chemical resistance (*)	high	high	high

(*) - please check against individual datasheet or contact Tyco Thermal Controls for further details.

Table 2: Typical cable limits of power output

Maintain temperature (°C)	Typ. max. cable load (W/m)	
	good contact	poor contact
≤ 10	30	25
+ 11...30	25	20
+ 31...50	21	18
+ 51...75	18	15
+ 76...100	15	12
+ 101...125	12	10
+ 126...150	10	8
+ 151...200	8	5

The typical cable power output is shown above in table 2, depending on application. The maximum cable power output is directly dependent on the application and control method used. The actual limits of PI heating cables in a specific application are given in Tyco Thermal Controls Engineering Software (e.g. TraceCalc Pro design software). Contact Tyco Thermal Controls for more details.

- ◆ Ensure that the heating cable voltage rating is suitable for the service voltage available and that the temperature rating

of the heating cable defined by the design is suited for the application.

Changing any major design parameters like voltage or cable length will result in power output other than designed, which may require a redesign of the entire system. To prevent overload of the heating cable, fire or explosion in hazardous areas, verify that the maximum sheath temperature of the heating cable is below T-class or auto-ignition temperature of the gases and/or dusts possibly present in those areas. For further information, see design documentation (e.g. TraceCalc Pro reports).

Check the design specification to ensure the proper heating cable is installed on each pipe or vessel. Refer to Tyco Thermal Controls product literature to select an appropriate heating cable for each thermal, chemical, electrical and mechanical environment.

Heating cable storage

- ◆ Store the heating cable in a clean, dry place
- ◆ Temperature range: -40°C to $+60^{\circ}\text{C}$
- ◆ Protect the heating cable from moisture or mechanical damage

3

Heating cable installation

Warning

As with any electrical equipment or wiring installation that operates at line voltages, damage to heating cable and components, or incorrect installation that allows the penetration of moisture or contamination can lead to electrical tracking, arcing and potential fire hazard. Any unconnected heating cable end, exposed to the environment, must be sealed appropriately.

3.1

Pre-installation checks

Check design recommendations:

- ◆ Verify that you have all required engineering documents supporting the installation.
- ◆ Check for any special instructions in engineering documentation (e.g. fixation method, use of metal mesh etc...).
- ◆ Verify that the hazardous area information given in the engineering documentation is compatible with the area classification the material will be installed in.

Check materials received:

- ◆ Inspect heating cable and components for in-transit damage.
- ◆ Review the heating cable design and compare the list of designed materials to the catalog numbers of heating cables and electrical components received to confirm that proper materials have been received on site. The heating cable type and hazardous area marking is printed on the outer jacket. The application related hazardous area details and relevant design data for each individual heating circuit are recorded on a hazardous area label. (see 7.3)
- ◆ Measure and note down the electrical resistance and the insulation resistance of the cable. Compare these values to those in the design documents (see section 8).

Check equipment to be traced:

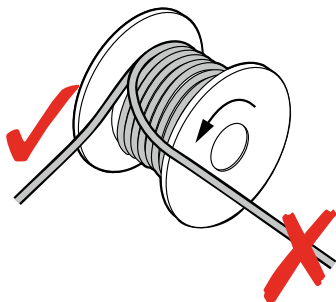
- ◆ Check identification, dimensions of pipework /vessel, actual temperatures and insulation properties against the design documents.
 - ◆ Ensure all pressure testing of pipework/vessel is complete and final paint and pipe/vessel coatings are dry to touch.
 - ◆ Walk the system and plan the routing of the heating cable on the pipe, including tracing of heatsinks. e.g. valves, flanges, supports, drains etc.
 - ◆ Inspect piping for burrs, rough surfaces, sharp edges etc. which could damage the heating cable. Smooth off or cover with layers of glass cloth tape, aluminium foil or rubber profiles (e.g. G-02).
-

3.2 Heating cable pulling and laying

Heating cable pulling tips:

- ◆ Use a reel holder that pays out smoothly with little tension.

Figure 3: Importance of cable pulling direction



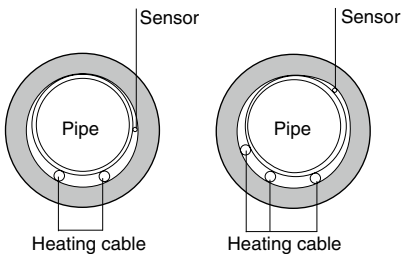
- ◆ Avoid distortion of the cable and kinking.
- ◆ When pulling the heating cable, **avoid:**
 - ◆ sharp edges

- ❖ excessive pulling force
 - ❖ kinking and crushing
 - ❖ walking on it, or running over it with equipment.
- ❖ Keep heating cable strung loosely but close to the pipe being traced, to avoid interference with supports and other equipment.
 - ❖ **Add additional heating cable to trace the fittings, supports and other accessories as required by the design specification.**
 - ❖ Leave the appropriate amount of heating cable at all power connection, splice and tee locations. (Refer to component installation instructions)
 - ❖ Pay out designed length and mark (i.e. with fixing tape) on cable while remainder of cable still on reel (XPI: use printed metermarks for orientation).

3.3 Heating cable attachment

- ❖ **Do not use metal bandings, tie wire, vinyl electrical tape or duct tape, as heating cable damage may result.** Fix in place with a minimum of two wraps of the appropriate self-adhesive glass cloth tape, metal mesh or fixing strip at 300 mm intervals and additionally where necessary. Other attachments (like aluminium tape) may be specified in the design documentation.
- ❖ Cable must be installed and fixed as such, that movement of cable during its heating up cycles is permitted, but not to allow the cable to move freely under its own weight. The heating cables may be installed in straight, multiple runs as required by the design specification
- ❖ On horizontal pipes fix on lower quadrant as shown below and not on bottom of pipe.

Figure 4: Cable orientation on pipe



Read the design documents, in particular concerning the need for cable allowances and regard the location of junction boxes/ controllers before permanently attaching the cable to the pipe.

- ❖ Installation on tanks might require additional fixation devices as prepunched steel strips as shown on the next page:

Figure 5: Typical cable layout on bigger surfaces as tank walls

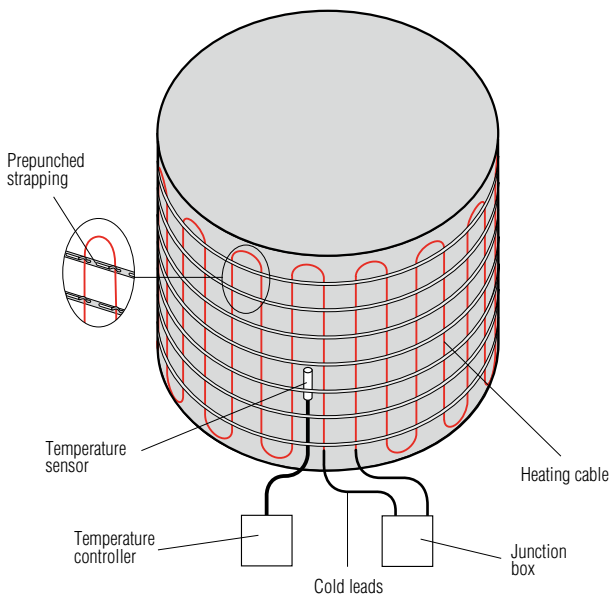
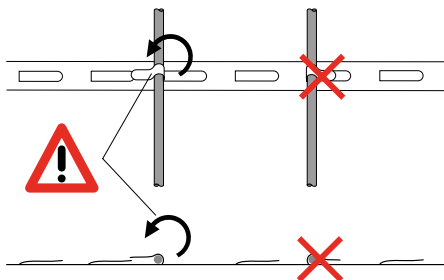


Figure 6: Fixation device: prepunched steel strap



- ◆ Use insulation entry kits, where cable penetrates the metallic insulation cladding by design. In all other places, where cable passes through metal sheet like cladding front disks (e.g. on valves) protective rubber profiles G-02 should be used to mechanically protect the cable.

3.4 Cutting the heating cable

- ◆ Before cutting it, confirm the minimum required length and tracing allowances.
- ◆ **Any change to designed circuit length will change power output and design must be reconfirmed.**
- ◆ Cut the heating cable to length after it is attached to the pipe.

3.5

Attachment tapes

GT-66 Glass cloth tape for attaching heating cable to pipe. Not for stainless-steel pipes or for installation temperatures below 5°C.

GS-54 Glass cloth tape for attaching heating cable to pipe. For stainless-steel pipes or for any installation below 5°C.

ATE-180 Aluminium tape for attaching the cable to vessels. For all surfaces and installations above 0°C.

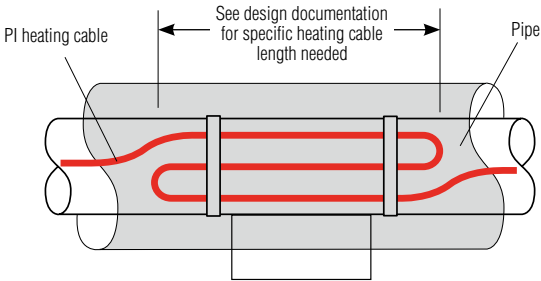
- ◆ At long straight lengths, expansion loops may be needed to allow for thermal expansion of the pipe without exposing cable to excess of strain. Other attachment methods could be specified. In that case, please refer to the design documentation.

3.6

Typical installation details

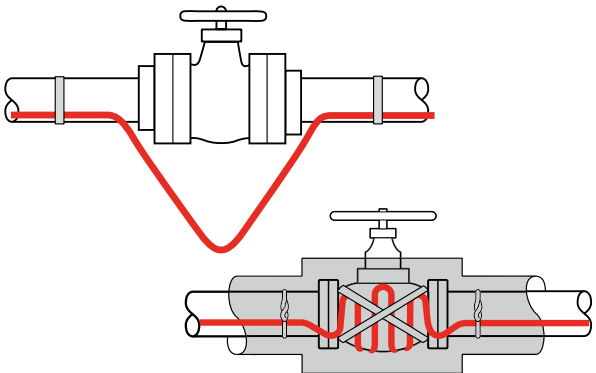
- ◆ Typical installation details for fixing heating cable to pipe fittings are shown hereafter.

Figure 7: Typical cable allowance on pipe shoe



- ⚠ Pi heating cables must not be overlapped and the minimum clearance must be respected. Refer to the design documentation for more info or contact Tyco Thermal Controls for assistance.

Figure 8: Typical cable allowance on valve




-  Pi heating cables must not be overlapped and the minimum clearance must be respected. Refer to the design documentation for more info or contact Tyco Thermal Controls for assistance.

Figure 9: Typical cable routing on pipe elbows

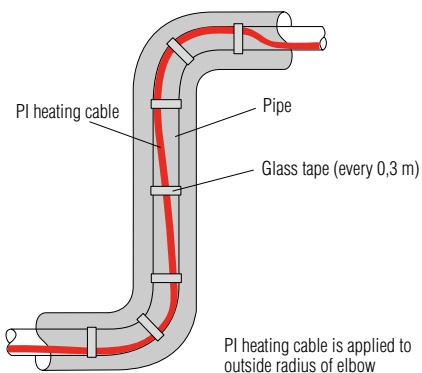
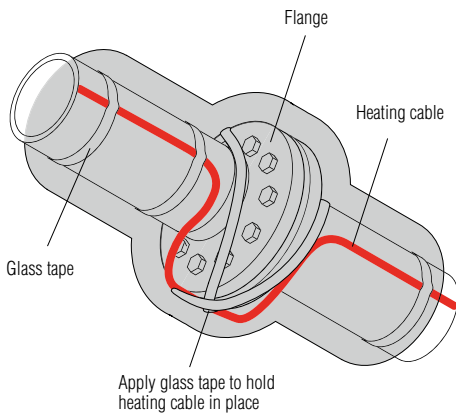



Figure 10: Typical cable routing on flanges



-  Pi heating cables must not be overlapped and the minimum clearance must be respected. Refer to the design documentation for more info or contact Tyco Thermal Controls for assistance.

General note:


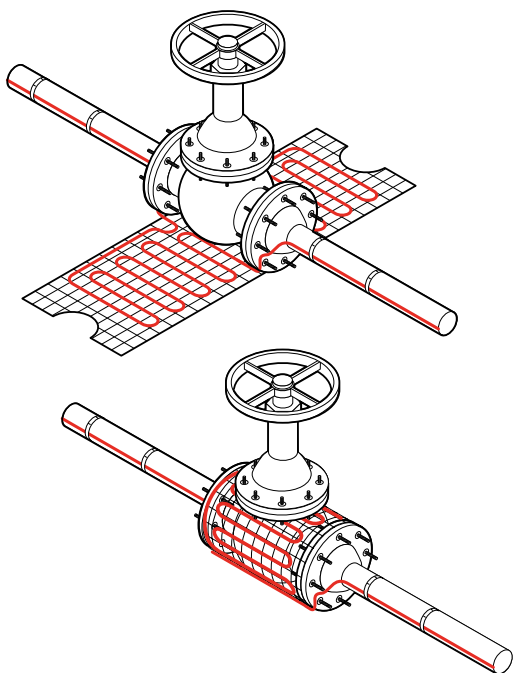
-  Trace pipe fittings as shown to allow easy maintenance. Alternatively wire mesh cages might be used.

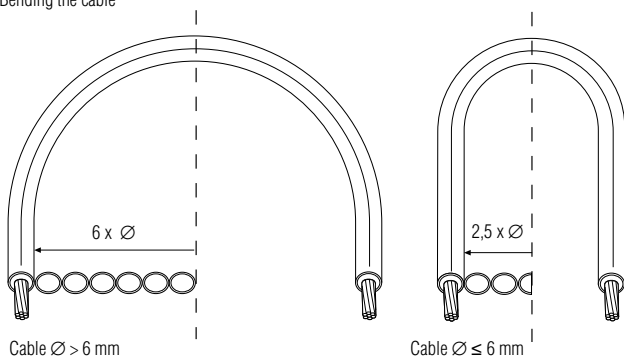
Figure 11-12: Cable applied on wire mesh



- ◆ Consult the design specification for the heat tracing requirements for fittings and supports.
- ◆ Follow the instructions for cutting and stripping of heating cables; they are included in the individual component installation instructions.
- ◆ The heating cable's minimum bend radius must be respected (refer to Table 1), together with the minimum clearance. Refer to the design documentation for more info or contact Tyco Thermal Controls for assistance.

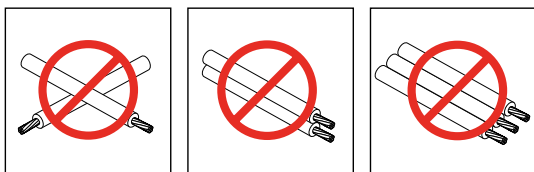
Figure 13: Minimal bending radius of cables

Bending the cable



- When installing constant wattage heating cables, ensure that they do not overlap or cross. Doing so may lead to local overheating and hazard of fire.

Figure 14: Minimum clearance between heating cables must be respected



Minimum clearance: 20 mm. For hazardous area applications, please consult the Tyco Thermal Controls design software, e.g. TraceCalc Pro.

3.7

Heating cable allowances

All parts of a heat traced system that increase the surface area of the normally insulated pipe/ vessel or metallic fins that protrude out of the insulation (e.g. supports), will increase the overall heatloss.

These areas of increased heat loss require compensation, either by using higher overall design safety factors or by the addition of extra cable length.

In such cases sufficient cable should be added in such a way to at least enable removal of instruments, valves etc ("maintenance loop"). For pipes requiring more than one run of heating cable, apply the full allowance for each run of cable on each fitting or support as long as space allows. However, PI heating cables must not touch or overlap and the minimum spacing between the heating cables must be respected.

For some applications, it may be physically impossible to install all of the recommended allowance directly on the fitting or support. In this case, install the excess heating cable on the pipe on either side of the fitting or support, or distribute the additional heater length along the entire circuit length if a lower local temperature is acceptable. If required, contact Tyco Thermal Controls for assistance.

For further details on individual allowances please refer to the design documentation or the Tyco Thermal Controls design software (e.g. TraceCalc Pro reports).

4

Components selection and installation

General notes:

Use the Design Specification to select required components.

Tyco Thermal Controls component kits must be used to satisfy Standards and Approval Body requirements and the Tyco Thermal Controls warranty to apply.

Installation instructions included in the kit must be followed, including those for preparation of the heating cable connections.

Before assembly, use the guide given in the instructions, to ensure that the kit is correct for the heating cable and environment.

4.1 Components required

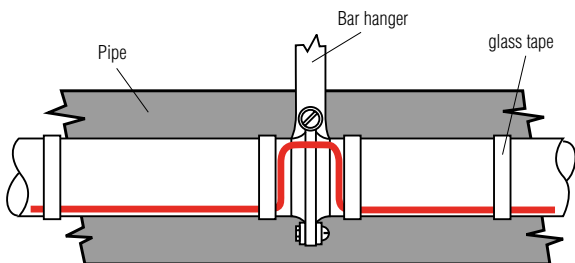
- ◆ For installation of all components refer to the relevant component installation instructions.
 - ◆ Required for each heating cable end: Cold lead connection and insulation entry kit
 - ◆ As required: Splice kits and accessories (fixing tape, support brackets, pipe straps, labels, etc)
-

4.2 Component installation hints

- ◆ On horizontal pipes locate junction boxes below pipe wherever possible.
- ◆ Locate junction boxes for easy access, but not exposed to mechanical abuse.
- ◆ Try to position junction boxes such, that power cable and heating cable entries point downwards, to minimize water ingress in the insulation.

- ◆ Confirm junction box glands and stopping plugs are correct for application and fixed firmly in place.
- ◆ Route heating cable between junction box and place where it enters the insulation cladding such, that the risk of mechanical damage is minimized.
- ◇ **Do not** strain heating cable as it exits/enters junction boxes and insulation entries.
- ◆ Ensure heating cable is fixed over pipe straps such as used for junction box support brackets to avoid potential mechanical damage.

Figure 15: Cable layout over clamps and straps



- ◆ Cable joints (splices) should be placed only in places, where cable is not bent or mechanically stressed.

5 Temperature control and limitation

5.1 General rules

Tyco Thermal Controls PI series heating cables are constant power output heaters and as such typically require temperature control, unless otherwise explicitly specified.

Good practice and local regulations may require additionally independent temperature limitation devices. The selection of such devices also depends on environmental conditions (non-haz. or haz. area)

- ◆ For applications in hazardous areas either a stabilised design or a thermostat control with temperature limiter complying with the requirements EN 60079-30 can be used to limit the surface temperature of the heating cable.

- ◆ In cases where stabilised design is **not** applied, a control thermostat ensures that under normal conditions, the heating system will be switched off, as soon as maintain temperature is reached.

An additional, independent temperature limiter ensures that if the control thermostat fails, the surface temperature of the heating cable will not exceed the maximum allowed temperature for hazardous area by switching off the heating cable.

General features of such a limiting device:

- ◇ A lockout function ensures that the heating cable remains switched off, until failure has been eliminated and normal conditions are restored.
The lockout function is manually re-armed. Reset requires a tool (e.g. a key to open a panel or a password for software).
 - ◇ Value of setpoint has to be secured against unintended change.
 - ◇ Limiter must permanently switch off in case of sensor malfunction.
 - ◇ The limiter function complies to all relevant standards (e.g. EN60730 or DIN3440 etc.).
- ◆ Follow the installation instructions supplied with the thermostat and/or the limiter.
 - ◆ Use a proper wiring diagram for the heating cable layout and control method desired.
 - ◆ The limiter must be set to ensure that the maximum temperature of the surface of the cable does not exceed neither T-class nor maximum working temperature of the heater for a given output under worse case conditions.

◇ **Warning**

As with any temperature measurement equipment, possible falsification of true temperatures due to increased heatloss caused by the sensor itself might lead to inaccurate temperature readings or unsafe tripping of safety limiters. The setpoint might need to be adjusted accordingly

Contact Tyco Thermal Controls or the supplier of the limitation device in order to obtain detailed information concerning offsetting of limitation devices.

5.2

Sensor placement: Temperature control device

The choice of the right location for the controller sensor depends on, but is not limited to following aspects:

- ◆ Flow direction of the fluid, best location: downstream.
- ◆ Impact of heatsinks such as supports etc, best: close to heatsink.

- ◆ Chimney effect on large size vertical pipes, best: on the bottom.
- ◆ Accessibility for maintenance purposes, best: at ground level.
- ◆ Impact of other heat sources, sun etc, best: at cold side.

For details please refer to the engineering documentation.

5.3

Sensor placement: limitation device

Typically the sensor is being placed on a length of cable, that is separated from the pipe by means of insulating material, in order to create an “artificial hotspot”.

The choice of the right location for the limiter sensor depends on, but is not limited to following aspects:

- ◆ Flow direction of the fluid, best location: upstream.
- ◆ Impact of heatsinks such as supports etc, best: away from heatsinks.
- ◆ Accessibility for maintenance purposes, best: at ground level.
- ◆ Chimney effect on large size vertical pipes, best: at the top.
- ◆ Impact of other heat sources, sun etc, best: at hot side of pipe.
- ◆ It is the responsibility of the installer to ensure that these conditions are met in the most appropriate way.

For details please refer to the engineering documentation.

6

Thermal insulation and marking

6.1

Pre-insulation checks

- ◆ Visually inspect the heating cable and components for correct installation and possible damage. (See Section 10 if damaged.)
- ◆ Insulation resistance testing (as per Section 8) is strongly recommended prior to covering the pipe with thermal insulation.

6.2

Insulation related requirements

- ◆ Correct temperature maintenance requires properly installed and dry thermal insulation.
- ◆ Check that all pipework, including fittings, wall penetrations and other areas are completely insulated
- ◆ Thermally insulate and weatherproof to design specification.
- ◆ Polymeric heating cables need to be protected against mechanical damage. Metallic insulation cladding is considered as sufficient mechanical protection.
- ◆ Ensure that heating cable is not damaged during installation of cladding by drills, self tapping screws and sharp edges of cladding etc.
- ◇ **In all stabilised design cases, the characteristics of the installed thermal insulation (material and thickness) must comply with the design requirements and be verified and confirmed in the documentation, to ensure compliance with approvals requirements.**
- ◇ **Make sure, that under no circumstances any insulation material is being placed between heated surface and cable, thus disabling intended heat flow to the substrate, which may result in possible overheating of the cable.**
- ◆ Good practise requires wrapping of the installed heating system with an appropriate metal foil prior to installation of the thermal insulation. This is especially so at places where intimate contact between trace heating cable and heated surface is not possible, such as valves or flanges where a suitable heat sink of temperature rated metal foil may be used.
Details may be described in local insulation standards.
- ◆ Check that all insulation entry kits are fitted correctly or that other alternative protective devices (such as rubber profiles G-02) are used, where appropriate.
- ◆ Ensure that all places are sealed where thermostat capillaries, sensor cables or support brackets etc. exit the cladding.

6.3

Marking

- ◆ Install "Electric Traced" signs on the insulation cladding along piping at suitable intervals (3-5 m intervals recommended) on alternate sides as a warning.
 - ◆ Mark on outside of insulation the location of any heating cable components like connection points, splices etc.
-

7

Power supply and electrical protection

- ◇ Do not energize cable when it is coiled or on the reel.

7.1 Electrical loading

Size overcurrent protective devices according to the design specification and/or local standard practises.

7.2 Residual current (earth fault) protection

Tyco Thermal Controls requires the use of a 30 mA residual current device to provide maximum safety and protection from fire.

Where design results in higher leakage current, the preferred trip level for adjustable devices is 30 mA above any inherent capacitive leakage characteristic of the heater as specified by the trace heater supplier or alternatively, the next common available trip level for non adjustable devices, with a maximum of 300mA. All safety aspects need to be proven.

For any heating cables installed in a hazardous area, the use of residual current devices is mandatory by the electrical codes and standards.

7.3 Circuit marking

For all hazardous area installations make sure, that system is properly marked with a Haz area label such as CW-LAB-EX-KIT or PI-LABEL-EX, which needs to be completed with design data by the responsible installer. Results of design documentation (TraceCalc Pro) may be used.



System testing

⚠ WARNING: Fire hazard in hazardous locations. Megger tests can produce sparks. Be sure there are no flammable vapors in the area before performing this test (hot work permit).

8.1 Testing of insulation resistance and conductor resistance

Tyco Thermal Controls recommends insulation resistance test

- ▶ before installing heating cable
- ▶ before installing thermal insulation
- ▶ prior to initial start-up/ after completion of thermal insulation
- ▶ as part of the periodic maintenance. (see Section 9.2).

The heating circuit electrical resistance needs to be measured and compared to the design documentation before initial startup.

8.2 Test method for insulation resistance testing

After completing heating cable installation, the insulation resistance between the conductor and the braid has to be tested (see Section 6.1).

The minimal required test voltage is 500Vdc, but the trace heating standard EN60079-30 strongly recommends to use a testing voltage of 2500Vdc. Hence Tyco Thermal Controls field acceptance test should be carried out with a test voltage of 2500Vdc and the minimum reading should be 20M Ω , regardless of the heating cable length.

The installer should record the values for each circuit on the installation record sheet.

Tip: Discharge heating cable before disconnecting from the Megger

9

Operation, maintenance and pipe repairs

⚠ WARNING: Heating cables are capable of reaching high temperatures during operation and can cause burns when touched. Avoid contact when cables are powered. Insulate the pipe before energizing the cable. All work needs to be carried out by properly trained personnel.

9.1 Heating cable operation

- ◇ **Temperature exposure of the cable must be within the range specified in the product literature. Exceeding the limitations will shorten the service life and may permanently damage the heating cable.**
- ◆ Pipe insulation must be complete and dry to maintain the required temperature.

9.2 Inspection and maintenance

- ◆ Visual inspection: exposed heating cable should be checked periodically to make sure that no mechanical damage has occurred.
- ◆ Insulation resistance testing: The system should be tested regularly. Check in advance, whether hazardous area conditions allow insulation resistance testing. A hot work permit might be required.
- ◆ When measuring the insulation resistance from the main supply panel, the test is performed between L and PE. Optional testing could be performed between braid and pipe (disconnect heating cable ends).
- ◆ Functionality test of electrical protection: Circuit breaker and residual current device should be tested at least once a year or according to manufacturer's instructions.
- ◆ Functionality test of temperature control systems: Depending on how essential temperature control is regarding process requirements and how critical temperature limitation is for fulfillment of hazardous area requirements, tests should be carried out at regular intervals.
- ◆ The Installation Record Sheet on the following pages should be completed during maintenance of each circuit in your system.

Freeze protection systems should be tested before the winter months each year (see section 8).
Temperature maintenance systems should be tested at least twice a year.

- ◆ Isolate heating cable circuit and protect the heating cable from mechanical or thermal damage during pipe repair work.
 - ◆ Check heating cable installation after pipe repairs and make sure that thermal insulation is restored according to the recommendations in Section 6. Check correct functioning of all relevant electrical protection systems.
-

10

Trouble Shooting

⚠ WARNING: Damage to cables or components can cause sustained electrical arcing or fire. Do not energize heating cables that have been damaged. Damaged heating cable, splices or connections must be repaired or replaced. Damaged cable should be repaired by a qualified person.

- ◆ It should be carefully evaluated, whether the severity of the damage allows on-site repair or whether the entire heating cable needs to be replaced.

Also refer to the Troubleshooting guide on the following pages. If the problem persists after following the guidelines, contact Tyco Thermal Controls.

MONOPHASED INSTALLATION RECORD SHEET

	Date:
Installation company:	Installer:
Project / Site name:	
Area name:	
Average pipe temperature when measuring loop resistance:	°C
Heating circuit no.:	
P & ID -no.:	
Drawing no.:	
Panel/Circuit breaker no.:	
Cable type:	
Total Cable length (m):	m

24

Required value	Actual value	Signature
1 Visual inspection		
1a Minimal allowed spacing	mm*	mm
1b Minimal bending radius	mm*	mm
1c Temperature sensor properly installed on the pipe/vessel & control temperature is set		yes:
1d Sensor of temperature limiter properly installed and set according to design specification		yes:
2 Before commencing of thermal insulation works		
2a Insulation resistance test voltage (V dc)	≥ 2500 Vdc	Vdc
2b Insulation resistance of cable	> 20 MΩ	MΩ
2c Cable resistance:	Ω	Ω
2d Cable covered with aluminium foil at flanges & cable on valves with wire mesh cages		yes:

25

3 After finalization of thermal insulation works		
3a Cables entries are sealed and cable protected at entries into insulation cladding		yes:
3b Thermal insulation material meets design requirements	*	yes:
3c Thermal insulation thickness meets design requirements	mm*	yes:
3d Warning labels installed on cladding	every 5 m/ at components	yes:
3e Insulation resistance test voltage (Vdc)	≥ 2500 Vdc	Vdc
3f Insulation resistance of cable	> 20 MΩ	MΩ
4 Prior to energizing of the cable		
4a Circuit feeding box marked properly		yes:
4b Control temperature set to setpoint	°C*	°C
4c Limiter set to trip value and protected against damages	°C*	°C
4d Insulation resistance test voltage (Vdc)	≥ 2500 Vdc	Vdc
4e Insulation resistance at commissioning of cable	> 20 MΩ	MΩ
4f Circuit voltage at feeding box	Vac L-N*	Vac L-N
	Vac L-L*	Vac L-L

26

Remarks: (fill in what is applicable)

(*1) Value to be taken from design documentation.

General note: Local / national rules and standards need to be respected where applicable.

Date:

Installation company:	
Project / Site name:	Installer:
Area name:	
Average pipe temperature when measuring loop resistance:	°C
Heating circuit no.:	
P & ID -no.:	
Drawing no.:	
Panel/Circuit breaker no.:	
Cable type:	
Cable length first segment:	m
Cable length second segment:	m
Cable length third segment:	m
Configured in:	DELTA / STAR (cross out what is not applicable)

Required value	Actual value	Signature
1 Visual inspection		
1a Minimal allowed spacing	mm*	mm
1b Minimal bending radius	mm*	mm
Temperature sensor properly installed on the pipe/vessel & control temperature is set		
Sensor of temperature limiter properly installed and set according to design specification		
2 Before commencing of thermal insulation works		
2a Insulation resistance test voltage (Vdc)	≥ 2500 Vdc	Vdc
2b Insulation resistance segment 1	> 20 MΩ	MΩ
Insulation resistance segment 1	> 20 MΩ	MΩ
Insulation resistance segment 1	> 20 MΩ	MΩ
2c Segment 1 resistance:	Ω*	Ω
Segment 2 resistance:	Ω*	Ω
Segment 3 resistance:	Ω*	Ω
2d Cable covered with aluminium foil at flanges & cable on valves with wire mesh cages		yes:

3 After finalization of thermal insulation works		
3a Cables entries are sealed and cable protected at entries into insulation cladding		yes:
3b Thermal insulation material meets design requirements	*	yes:
3c Thermal insulation thickness meets design requirements	mm*	yes:
3d Warning labels installed on cladding	every 5 m/ at components	yes:
3e Insulation resistance test voltage (Vdc)	≥ 2500 Vdc	Vdc
3f Insulation resistance segment 1	> 20 MΩ	MΩ
Insulation resistance segment 1	> 20 MΩ	MΩ
Insulation resistance segment 1	> 20 MΩ	MΩ

4 Prior to energizing of the cable		
4a Circuit feeding box marked properly		yes:
4b Control temperature set to setpoint	°C*	°C
4c Limiter set to trip value and protected against damages	°C*	°C
4d Insulation resistance test voltage (Vdc)	≥ 2500 Vdc	Vdc
4e Insulation resistance at commissioning segment 1	> 20 MΩ	MΩ
Insulation resistance at commissioning segment 1	> 20 MΩ	MΩ
Insulation resistance at commissioning segment 1	> 20 MΩ	MΩ
4f Circuit voltage at feeding box	3 x Vac L-N*	3 x Vac L-N
	3 x Vac L-N*	3 x Vac L-N
	Vac L-L*	Vac L-L

(fill in what is applicable)

Remarks:

(*1) Value to be taken from design documentation.

General note: Local / national rules and standards need to be respected where applicable.

Trouble Shooting Guide

A

Symptom: Overcurrent protection trips.

Probable Causes

Corrective actions

- | | |
|--|---|
| 1 Electrical fault at:
a damaged heating cable
b faulty splices
c cold lead connections | 1 Investigate and remedy |
| 2 Circuit oversized | 2 Resize or redesign |
| 3 Defective electrical protection | 3 Replace |
| 4 Start-up below minimum design temperature (copper conductor only) | 4 a redesign for lower startup temperatures.
b preheat pipe from alternative heat source to temperatures considered in electrical design
c employ soft start techniques of control system to smoothly heat up system. |

B

Symptom: RCD trips.

Probable Causes

Corrective actions

- | | |
|---|---|
| 1 Earth fault at:
a damaged heating cable
b faulty splices
c cold lead connections | 1 Investigate and remedy |
| 2 Excessive moisture in:
a junction boxes
b splices and cold lead connections | 2 Dry out and reseal or remake immediately and perform insulation resistance test. |
| 3 High leakage currents due to a combination of excessive lengths of power cable and heating cable. | 3 Redesign |
| 4 Defective RCD | 4 Replace |
| 5 Mains borne disturbances | 5 Redesign distribution |

C**Symptom:** No power output.**Probable Causes****Corrective Actions**

- | | |
|--|---|
| 1 Temperature limiter is tripped | 1 Investigate causes, restore normal conditions and re-arm |
| 2 Loss of supply voltage due to:
a overcurrent protection or residual current protection operating
b loose terminals in junction box, bad splice
c loss of supply cable continuity (open circuited from damage) | 2 Restore supply voltage
a following A and B
b re-tighten terminals, replace splice connection
NB: If excessive heating has occurred due to high resistance, replace terminals or crimps
c locate damage and repair |
| 3 Temperature controller defect | 3 Investigate causes, replace equipment |
-

D**Symptom:** Low pipe temperature.**Probable Causes****Corrective Actions**

- | | |
|--|--|
| 1 Wet thermal insulation | 1 Remove and replace with dry insulation of correct specification and ensure complete weatherproofing |
| 2 Incorrect setting or operation of temperature controls e.g., thermostats. | 2 Repair or reset to correct level of operation |
| 3 Design error | 3 Check with competent authority for design conditions and modify to meet Tyco Thermal Controls recommendations |
-

Note:

Locate faults by the following steps:

- | | |
|---|---|
| 1 Visually inspect the power connections and splices for correct installation. | 4 If after 1, 2 and 3 above the fault has not been located, then either:
a) Consult Tyco Thermal Controls for further assistance.
b) Where local practices and conditions allow (e.g., non-hazardous areas) isolate one section of heating cable from another by cutting in half and testing (e.g., insulation resistance) both halves until general area of damage is found.
Remove insulation and expose fault. |
| 2 Look for signs of damage at:
a) Valves, pumps, flanges and supports.
b) Areas where repairs or maintenance work has been carried out recently. | |
| 3 Look for crushed or damaged insulation and cladding along the pipe. | |
-

All of the above information, including illustrations, is believed to be reliable. Users however, should independently evaluate the suitability of each product for their application. Tyco Thermal Controls makes no warranties as to the accuracy or completeness of the information and disclaims any liability regarding its use. Tyco Thermal Controls's only obligations are those in the Standard Terms and Conditions of Sale for this product and in no case will Tyco Thermal Controls be liable for any incidental, indirect or consequential damages arising from the sale, resale, use or misuse of the product. Tyco Thermal Controls Specifications are subject to change without notice. In addition Tyco Thermal Controls reserves the right to make changes in materials or processing, without notification to the Buyer, which do not affect compliance with any applicable specification.

Europe, Middle east, Africa (EMEA)

Tyco Thermal Controls
Romeinse Straat 14
3001 Leuven
België / Belgique
Tel: +32 16 213 511
Fax: +32 16 213 603

België / Belgique

Tyco Thermal Controls
Romeinse Straat 14
3001 Leuven
Belgium
Tel. (32) 16 213 511
Fax (32) 16 213 610

Bulgaria

ERZET Engineering
Kompl. Bratja Miladinovi/bl57/vch.4A
BG-8000 Burgas
Tel./fax (56) 86 68 86
Mobile (88) 86 39 903
Fax (UK) +44 8701368787

Česká Republika,

Slovenská Republika

Tyco Thermal Controls Czech, s.r.o.
Pražská 636
252 41 Dolní Břežany
Tel. +420 241 911 911
Fax +420 241 911 100

Danmark

Tyco Thermal Controls Nordic AB
Flöjelbergsgatan 20B
SE-431 37 Mölndal
Tel. 70 11 04 00
Fax 70 11 04 01

Deutschland

Tyco Thermal Controls GmbH
Birlenbacher Strasse 19-21
57078 Siegen-Geisweid
Tel. (0271) 35600-0
Fax (0271) 35600-28
salesDE@tycothermal.com

España

Tyco Thermal Controls N.V.
Ctra. De la Coruña, km. 23,500
Edificio ECU I
28290 Las Rozas, Madrid
Tel. (902) 125 307
Fax (91) 640 29 90

France

Tyco Thermal Controls SAS
B.P. 90738
95004 Cergy-Pontoise Cedex
Tél. 0800 906045
Fax 0800 906003
salesFR@tycothermal.com

Hrvatska

ELGRI d.o.o.
S. Mihailica 2
10000 Zagreb
Tel. (1) 6050188
Fax (1) 6050187

Italia

Tyco Thermal Controls SPA
Centro Direzionale Milanofiori
Palazzo F1
20090 Assago, Milano
Tel. 02 5776151
Fax 02 577615528

Lietuva/Latvija/Eesti

Tyco Thermal Controls BV Atstovybe
Smolensko g. 6
LT-03201 Vilnius
Tel. +370 5 2136633
Fax +370 5 2330084

Magyarország

Szarka Ignác
Maroshévíz u. 8
1173 Budapest
Tel. (1) 253 76 17
Fax (1) 253 76 18

Nederland

Tyco Thermal Controls b.v.
Van Heuven Goedhartlaan 121
1181 KK Amstelveen
Tel. 0800 0224978
Fax 0800 0224993

Norge

Tyco Thermal Controls Norway AS
Postboks 146
1441 Drøbak
Tel. +47 66 81 79 90
Fax +47 66 80 83 92

Österreich

Tyco Thermal Controls
Division of Tyco Fire &
Integrated Solutions GmbH
Office Wien
Brown-Boveri Strasse 6/14
2351 Wiener Neudorf
Tel. (0 22 36) 86 00 77
Fax (0 22 36) 86 00 77-5

Polska

Tyco Thermal Controls Polska Sp. z o.o.
ul. Cybernetyki 19
02-677 Warszawa
Tel. 0800 800 114
Fax 0800 800 115

Republic of Kazakhstan

Tyco Thermal Controls
4 Khakimov St.
Atyrau, 060002
Tel. +7 7122 32 56 51
Fax +7 7122 32 56 38

Romania

Tyco Thermal Controls
Strada Sinaii nr 3
100357 Ploiesti, Prahova
Tel. +40 34 480 21 44
Fax +40 34 480 21 41

РОССИЯ и другие страны СНГ

ООО « Тайко Термал Контролс »
141407, Московская обл., г. Химки
ул. Панфилова, 19, 11 этаж,
Деловой Центр Хантри Парк
Тел. +7 (495) 926 18 85
Факс +7 (495) 926 18 86

Serbia and Montenegro

Keying d.o.o.
Vuka Karadžića 79
23300 Kikinda
Tel. (230) 401 770
Fax (230) 401 790

Schweiz / Suisse

Tyco Thermal Controls N.V.
Office Baar
Haldenstrasse 5
Postfach 2724
6342 Baar
Tel. (041) 766 30 80
Fax (041) 766 30 81

Suomi

Tyco Thermal Controls Nordic AB
Flöjelbergsgatan 20B
SE-431 37 Mölndal
Puh. 0800 11 67 99
Telekopio 0800 11 86 74

Sverige

Tyco Thermal Controls Nordic AB
Kanalvägen 3 A
SE-194 61 Upplands Väsby
Tel. 08-590 094 60
Fax 08-590 925 70

Türkiye

SAMM Diş Ticaret A.Ş.
Yeniyl Sk. Etap İş Merkezi C
Blok No: 10 Kat: 6
34722 Acıbadem - Kadıköy
İSTANBUL
Tel. +0216-325 61 62 (Pbx)
Faks +0216-325 22 24

United Kingdom

Tyco Thermal Controls (UK) Ltd
3 Rutherford Road,
Stephenson Industrial Estate
Washington, Tyne & Wear
NE37 3HX
Tel. 0800 969013
Fax 0800 968624
salesUK@tycothermal.com

Worldwide Headquarters

Tyco Thermal Controls
7433 Harwin Drive
Houston, TX 77036
USA
Tel: 800-545-6258
Tel: 650-216-1526
Fax: 800-527-5703
Fax: 650-474-7711
info@tycothermal.com

tyco

Thermal Controls

www.tycothermal.com