

FOSC 600

Fiber Optic Splice Closure

- Butt or inline splice closure
- Gel-seal technology
- Hinging trays
- Large fiber capacity
- Superior fiber management
- Excellent consolidation or rehabilitation closure

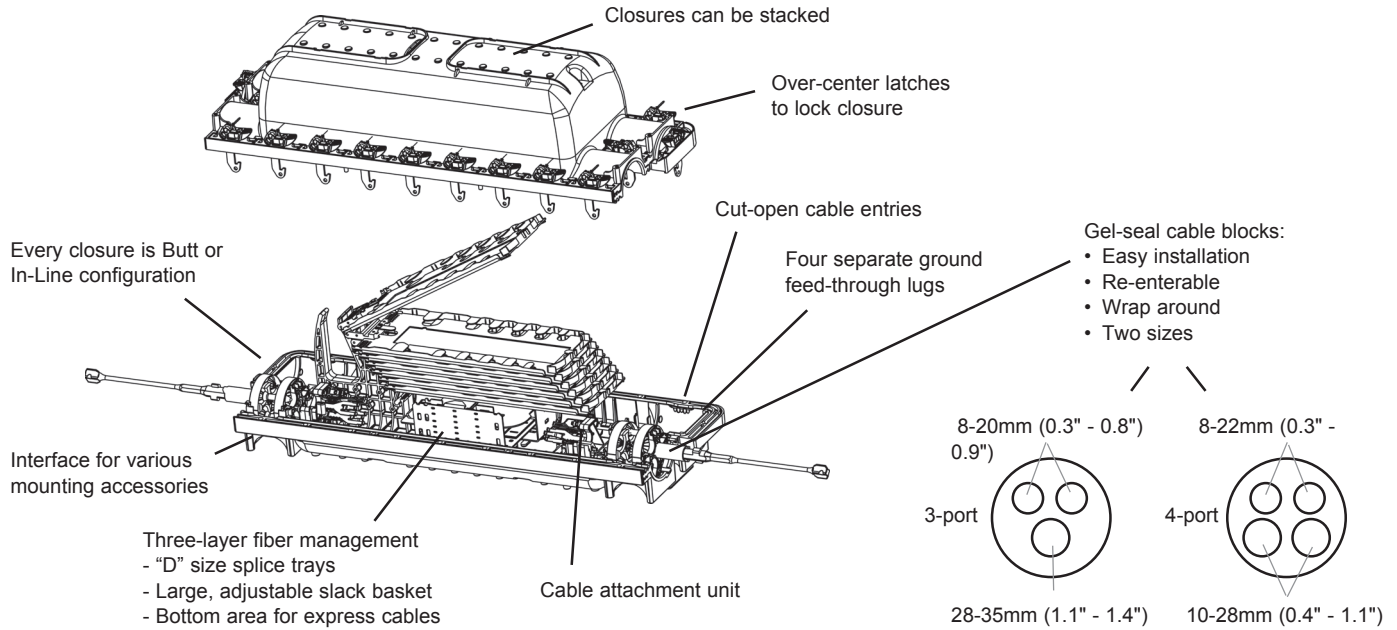
The FOSC 600 C and D closures are more than just fiber optic splice closures. They are rugged and versatile platforms that can be deployed anywhere in the outside plant for a multitude of functions including the splicing of most any type and size of cable, the housing of connectorized distribution and demarcation points, and the deployment of optical passives.

The sealing system for FOSC 600 closures builds on the proven reliability of FOSC 400 and FOSC 450 closures and features the versatile and popular gel-sealing technology for terminating cables, and a unique latching system for quickly opening and closing the body.

Other features include:

- Up to 16 separate cable ports
- Sized for cables up to 35mm in diameter and 1728 fibers
- Field configurable for butt or in-line splicing
- All internal parts can be removed for reconfiguration
- Both C and D closures use Tyco Electronics' "D" size splice trays
- Storage basket included with all closures can be extended in length or repositioned vertically depending on application
- Slack ribbon storage on the same tray as mass fusion splices is possible with use of a ribbon tray
- Backed by Tyco Electronics' extensive network of technical field support specialists

Selection Guide



Sizes and Specifications

FOSC 600 - X X X - XX - X - X X X

Closure Size (C or D)

Number of Cable Ports Provided (4, 6, 8)

- 4 - one 4-port gel block
- 6 - two 3-port gel blocks
- 8 - two 4-port gel blocks

Configuration

- B - Butt
- I - In-line
- R - Reverse Butt*

Capacity (or type) of Splice Trays

Note: Both C and D size closures use "D" size trays

- 36 - D tray with six SM6 modules
- 72 - D tray with six SM12 modules 96
- R2 - D ribbon tray (splice capacity: 24, 12 fiber ribbon splices)
- NT - No trays

Valve for Flash Test

(V for valve is standard)

Number of Ground Feed-through Lugs

(0, 2 or 4)

Slack Basket Type

- C - Basket for C version
- D - Basket for D version
- N - No basket
- L - Loose buffer tube ribbon modification (D size only). No basket included.
- M - Same as "L" above, but includes storage basket.

Number of Splice Trays

(0 or 1 is standard)

*For use when increased fiber lengths on tray is required and loose buffer tube cable reverse point is offset in main cable opening.

Closure Dimensions in inches (cm)

	Length	Height	Width
600 C	32.6 (82.8)	6.0 (15.2)	10.8 (27.4)
600 D	32.6 (82.8)	10.0 (25.4)	10.8 (27.4)

Tray (and splice) Capacity of Closures

	D Splice Trays	D-Ribbon Tray ¹
600 C In-line	3 (216)	2 (576)
600 C Butt	5 (360)	3 (864)
600 D In-line	7 (504)	4 (1152)
600 D Butt	9 (648)	6 (1728) ²

¹ Ribbon splice capacity is 2592 fibers based on using 6, D-36 style trays with slack storage in storage basket.

² L Basket type closures capacity is 5 D-Ribbon trays (1440 fibers).

Accessories

FOSC-ACC-D-Tray-36	D size tray with six SM6 modules
FOSC-ACC-D-Tray-72	D size tray with six SM12 modules
FOSC-ACC-D-Tray-Ribn24	D size ribbon tray (24 mass fusion splices)
FOSC600-GelSeal-3	3-port cable seal
FOSC600-GelSeal-4	4-port cable seal

Tyco Electronics Corporation
8000 Purfoy Road
Fuquay Varina, NC 27526-9349
Tel 919-557 8900
Fax 919-557 8498
www.tycoelectronics.com
www.telecomosp.com

FOSC 400, FOSC 450, FOSC 600, TE logo, and Tyco Electronics are trademarks.

The information given herein, including drawings, illustrations and schematics which are intended for illustration purposes only, is believed to be reliable. However, Tyco Electronics Corporation makes no warranties as to its accuracy or completeness and disclaims any liability in connection with its use. Tyco Electronics' obligations shall only be as set forth in Tyco Electronics' Standard Terms and Conditions of Sale for this product and in no case will Tyco Electronics be liable for any incidental, indirect or consequential damages arising out of the sale, resale, use or misuse of the product. Users of Tyco Electronics products should make their own evaluation to determine the suitability of each such product for the specific application.