

Easy to install and with a compact design, this box allow the user to connect up to 12/24 fibers. This fiber box, mountable on DIN rail in electric or communication cabinets or other environments on wall surfaces.

Characteristics

- ▶ Supports up to 12/24 fibers per module
- ▶ Cable entry/outlet from the bottom and top
- ▶ Splice and patch solution
- ▶ Bending radius protected fiber over-length storage ($r \geq 30$ mm)
- ▶ Can be easy snapped on a DIN-Rail 35mm
- ▶ Temp range : -40 °C to +70 °C

Specifications

Splice tray for 12 Fiber

Fiber reservoir

2 x PG16 cable gland

Available unequipped, partly and fully equipped

RAL 7035 Light Grey Powder coated

Coding

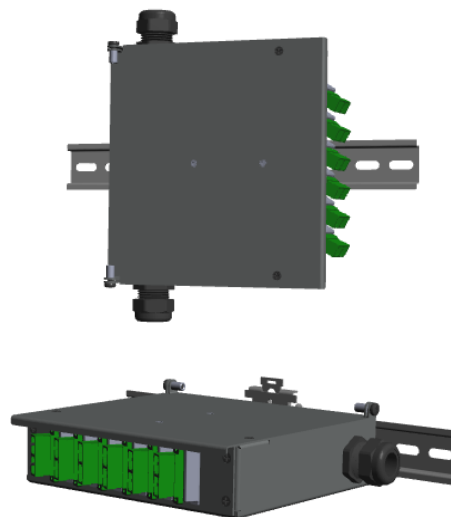
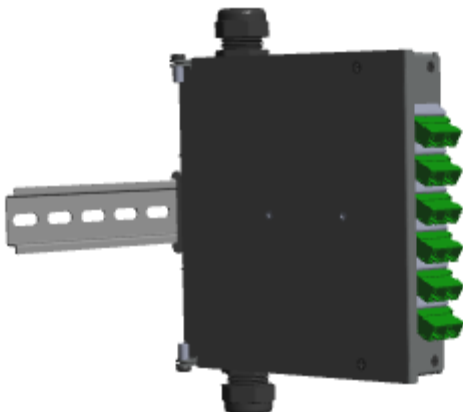
FDF-DIN-PX-XX-XX-XX

Sample Coding

FDF-DIN-P1-SM-SC-12

SC-DX 12 FO DIN Rail Box, Single Mode, Angled

Mounting Options





P1 PANEL: 6*SC-DX = 12 FO Angled

P2 PANEL: 6*SC-SX = 6 FO Angled, 6*LC-DX = 12 FO Angled

P3 PANEL: 12*SC-DX = 24 FO

P4 PANEL: 8*SC-DX = 16 FO

P5 PANEL: 8*SC-SX = 8 FO, 8*LC-DX = 16 FO

P6 PANEL: 8*SC-SX = 8 FO, 8*LC-DX = 16 FO

P7 PANEL: 8*FC-SX = 8 FO, 8*ST-SX = 8 FO

Dimensions

